

# BOLLARDS

BY STROMBERG

Illuminated Bollards  
Outrigger Resort, Hawaii



# Bollards by Stromberg

Practical and Ornamental Solutions



GFRC Bollards, U.S. Capitol



Ball Bollard, Golf Course



Bollard Cover, International Airport

Stromberg decorative bollards enhance structure and landscape design while defining perimeters, directing pedestrian and vehicle traffic and transforming plain security bollards into architectural assets that compliment their surroundings.

We offer classically styled designs with gentle curves, decorative finials and fluted details or contemporary styling. Stromberg bollards are more than just functional barriers; when creatively used they transform the landscape in a complimentary and pleasing way. Add accents of greenery with planter bollards.

protection of a safety barrier. Moveable bollards allow versatility of path changes, while permanent bollards may be built into the ground. Security bollards are very strong and are built to withstand heavy impacts. Choose the bollard type that is right for you.

We offer full customization. Whatever the challenge, our design team will work with you to create the solution that best fits your company's needs. Stromberg ornamental bollards are available in quality materials that include Architectural Precast, GFRC, Cast Stone, Granite, and Architectural Fiberglass.



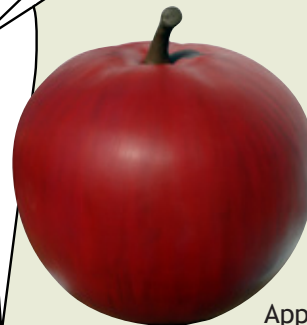
Illuminated Bollards, Resort



Illuminated Bollards, Hospital



Illuminated bollards offer the security of streetlights as well as the



Apple Bollard

# Bollards and Security Planters by Stromberg



Exposed Aggregate Bollard Sleeve



Lighted Bollards



GFRC Limestone Finish Bollards, U.S. Capitol



Lighted Bollards



"Field Stone" Stromberg GFRC Bollards



# Bollards and Security Planters by Stromberg



Security Planters / Bollards • Lone Star Logo



Security Planters / Bollards

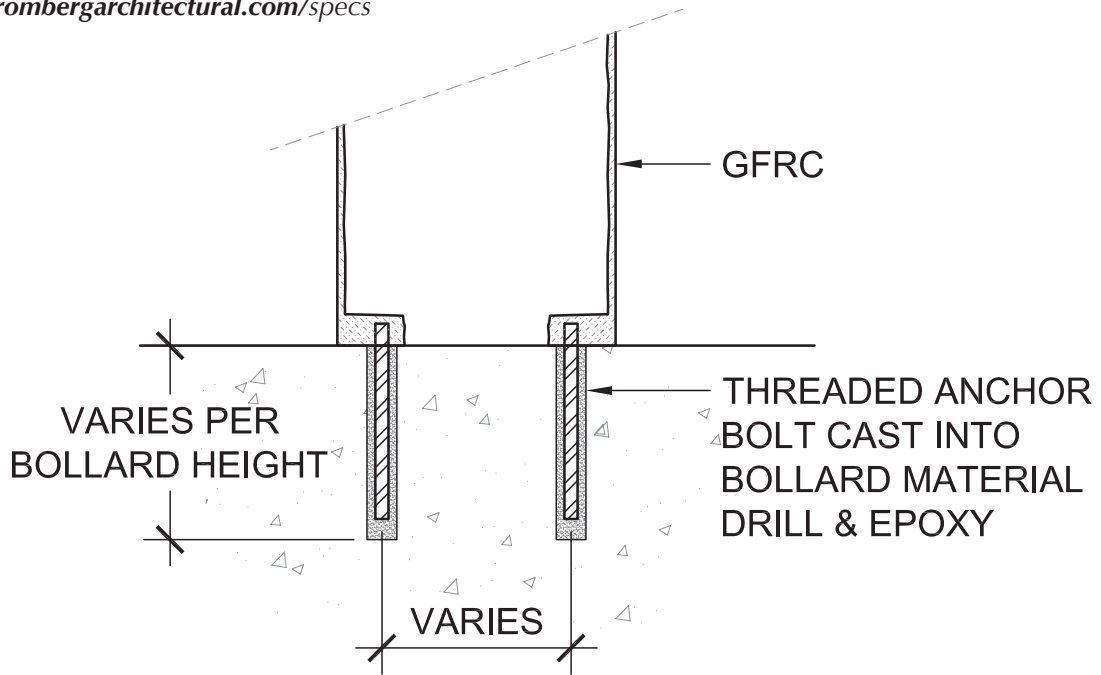


Classical Detailed Jefferson Planter/Base/Bollard

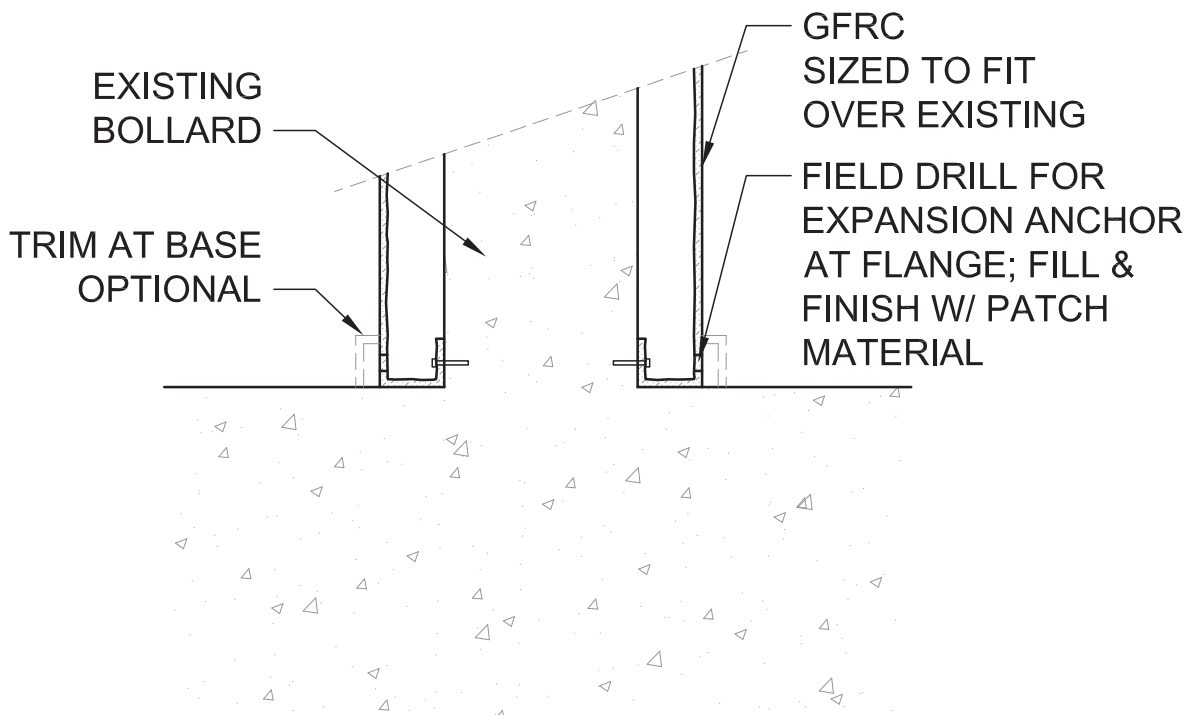
# Bollards Installation Options 1 & 2

Click link to see specifications:

<http://www.strombergarchitectural.com/specs>



OPTION 1

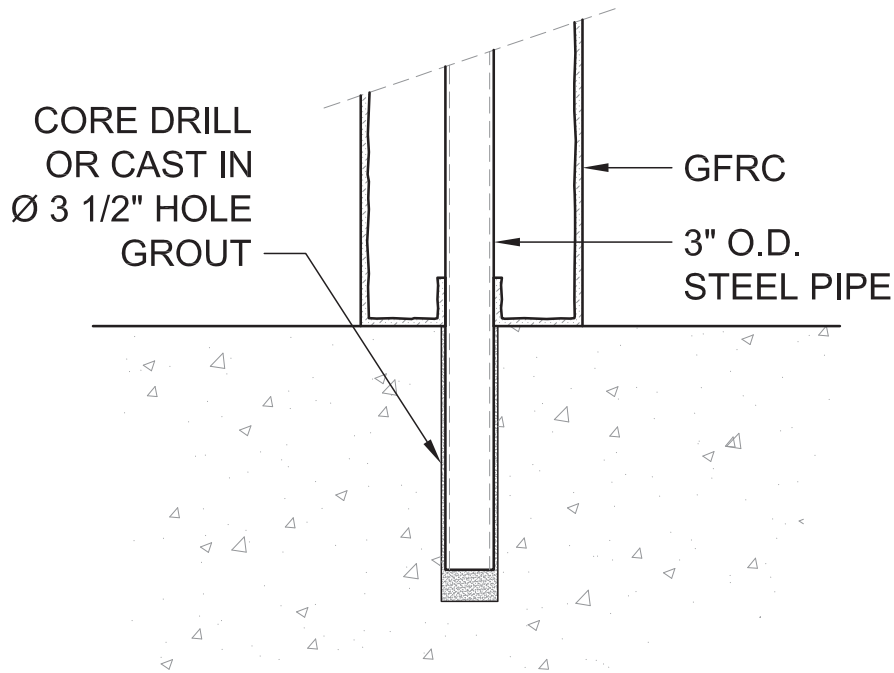


OPTION 2

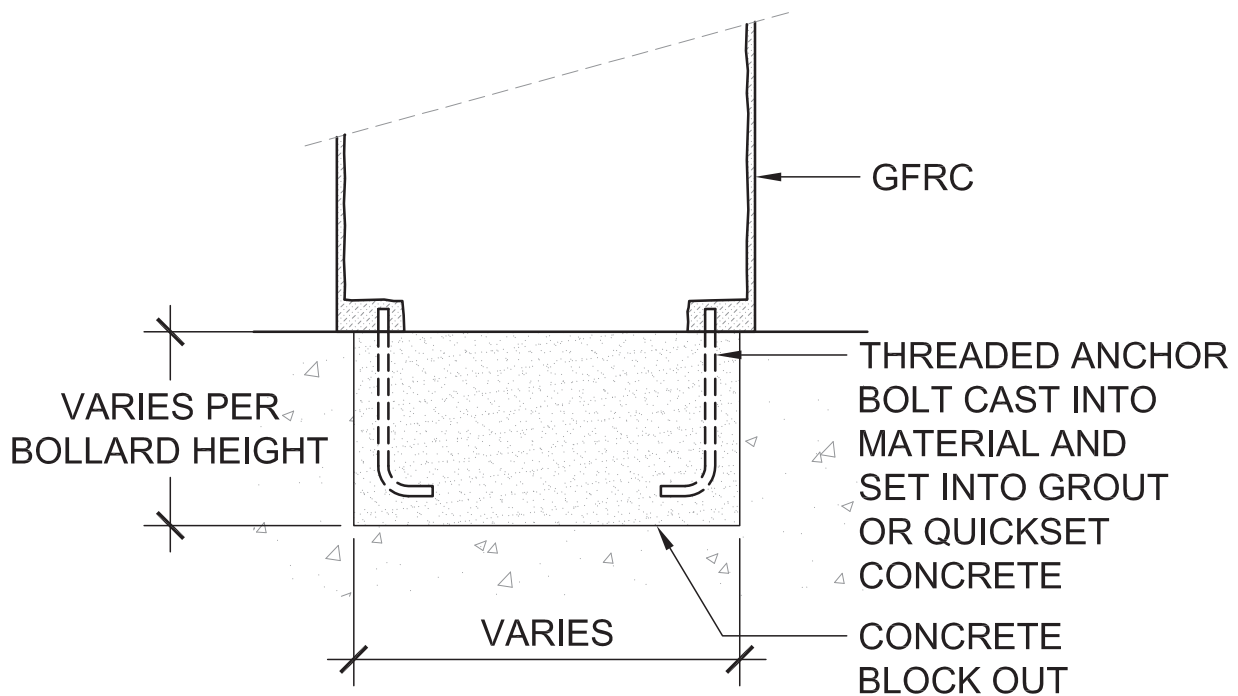
# Bollards Installation Options 3 & 4

Click link to see specifications:

<http://www.strombergarchitectural.com/specs>



OPTION 3



OPTION 4

# Bollards by Stromberg



SBS-001		SBS-002		SBS-003		SBS-004	
H	W	H	W	H	W	H	W
31"	19"	24"	10"	24"	7"	24"	6 ¼"
-	-	30"	13"	30"	9"	30"	7 ¾"
-	-	36"	15"	36"	10"	36"	9 ¼"
-	-	42"	18"	42"	12"	42"	10 ¾"
-	-	48"	20"	48"	14"	48"	12 ¼"

Custom Sizes Available

- Made from Quality Materials
- Easy to Install
- Durable and Low Maintenance
- Attractive and Secure

SBS-005		SBS-006		SBS-007		SBS-008	
H	W	H	W	H	W	H	W
24"	7 ¼"	24"	10"	24"	7"	24"	8"
30"	9"	30"	13"	30"	9"	30"	9"
36"	10 ¾"	36"	15"	36"	10"	36"	11"
42"	12 ½"	42"	18"	42"	12"	42"	12"
48"	14 ¼"	48"	20"	48"	14"	48"	14"

Custom Sizes Available

Stromberg bollards are available in a variety of materials, finishes, and textures. Choose the one that best suits your needs.

# Bollards by Stromberg



SBS-009		SBS-010		SBS-011		SBS-012	
H	W	H	W	H	W	H	W
24"	7"	24"	10 ¾"	24"	8"	24"	7"
30"	9"	30"	13 ½"	30"	10"	30"	9"
36"	10"	36"	16"	36"	12"	36"	10"
42"	12"	42"	18 ¾"	42"	14"	42"	12"
48"	14"	48"	21 ½"	48"	16"	48"	14"

Custom Sizes Available

Stromberg offers almost any texture that you can think of. If you need to match an existing finish we can do that too. Let our 30+ years of finishing experience work for you.

SBS-013		SBS-014		SBS-015		SBS-016	
H	W	H	W	H	W	H	W
24"	10"	24"	7 ½"	24"	11 ½"	24"	11 ¾"
30"	12"	30"	9 ½"	30"	13 ½"	30"	14 ¾"
36"	14"	36"	11 ½"	36"	17 ½"	36"	17 ¾"
42"	17"	42"	13 ½"	42"	20 ½"	42"	20 ¾"
48"	19"	48"	15 ¼"	48"	23 ½"	48"	23 ¾"

Custom Sizes Available

- Attractive and Visually Appealing
- Crafted from Durable Materials
- Easy Installation
- Your Satisfaction is Our Priority



# Bollards by Stromberg



SBS-017



SBS-018



SBS-019

SBS-017		SBS-18		SBS-019	
H	W	H	W	H	W
24"	8"	24"	10 ¼"	24"	6 ¾"
30"	10"	30"	13"	30"	8 ½"
36"	12"	36"	15 ½"	36"	10 ¼"
42"	14"	42"	18"	42"	12"
48"	16"	48"	20 ½"	48"	13 ¾"

Custom Sizes Available

- Customization Available
- Free Design Assistance
- Easy Installation
- Crafted from Quality Materials



SBSP-031



SBSP-123



SBSP-075



SBSP-030

SBSP-031		SBSP-123		SBSP-075		SBSP-030	
H	W	H	W	H	W	H	W
24"	15"	24"	11"	24"	20 ¾"	24"	24"
30"	19"	30"	14"	30"	26"	30"	30"
36"	22"	36"	16"	36"	31 ¼"	36"	36"
42"	26"	42"	19"	42"	36 ½"	42"	42"
48"	30"	48"	21"	48"	41 ¾"	48"	48"

Custom Sizes Available

Contact us for a quote. We will provide a no cost or obligation proof for your review and approval.

# Illuminated Bollards by Stromberg

Illuminated bollards mark the course of a path or walkway; safely guiding pedestrian traffic. Lighted bollards also designate borders of public areas while adding to the aesthetics of the landscape.



SBSP-002



SBSP-003



SBSP-006



SBSP-007



SBSP-008



SBSP-009



SBSP-010



SBSP-013

SBSP-002		SBSP-003		SBSP-006		SBSP-007	
H	W	H	W	H	W	H	W
24"	10"	24"	12"	24"	15"	24"	26"
30"	12"	30"	16"	30"	19"	30"	33"
36"	15"	36"	21"	36"	23"	36"	40"
42"	17"	42"	24"	42"	27"	42"	45"
48"	20"	48"	28"	48"	31"	48"	53"

Custom Sizes Available

- Able to Function as Street Light
- Offers Protection from Vehicle Traffic
- Easy to Install
- Available in Multiple Colors and Textures

SBSP-008		SBSP-009		SBSP-010		SBSP-013	
H	W	H	W	H	W	H	W
24"	13"	24"	15"	24"	13"	24"	13"
30"	16"	30"	19"	30"	16"	30"	16"
36"	19"	36"	23"	36"	19"	36"	19"
42"	22"	42"	27"	42"	22"	42"	22"
48"	25"	48"	31"	48"	25"	48"	25"

Custom Sizes Available

Our products are crafted from quality materials, and are American made. With over 30 years experience, our reputation has proven us to be the destination for every type of bollard and security planter.

# Illuminated Bollards by Stromberg

## Obelisk



SBSP-015



SBSP-027

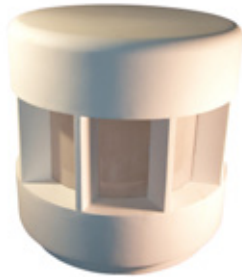
SBSP-015		SBSP-027		SBSP-028		SBSP-128	
H	W	H	W	H	W	H	W
24"	16"	24"	8"	24"	12"	18"	18"
30"	20"	30"	10"	30"	15"	24"	24"
36"	24"	36"	12"	36"	18"	30"	24"
42"	28"	42"	14"	42"	21"	36"	30"
48"	32"	48"	16"	48"	24"	42"	30"

Custom Sizes Available

- Built to Last
- Durable, Low Maintenance Materials
- Easy Installation
- Many Colors and Finishes Available



SBSP-028



SBSP-128



SBSP-029



SBSP-024

SBSP-029		SBSP-024		SBSP-094	
H	W	H	W	H	W
24"	22"	24"	13"	42"	19 ¾"
30"	27"	30"	17"	48"	22 ½"
36"	32"	36"	21"	54"	25 ½"
42"	37"	42"	24"	60"	28 ¼"
48"	42"	48"	28"	66"	31"

Custom Sizes Available



SBSP-094

Manage vehicular, pedestrian, and bicycle traffic flow with Stromberg bollards.

Bollards separate motor vehicles from foot travellers, and cyclists. Bollards may be placed in any area where vehicles are restricted or prohibited due to issues of public safety.

Other uses for bollards include parking prevention, traffic diversion, and to close off areas for public use.



# Icon Bollards by Stromberg

Icon bollards are fun yet functional security barriers that create safe areas free of vehicle traffic. Stromberg Icon bollards are available in popular sports shapes, and are perfect for parks, recreational complexes, and stadiums.

Fruit icons are fun additions to grocery stores, shopping malls, and restaurants; colorfully carrying your theme throughout the landscape.

SBSP-019



SBSP-023



SBSP-032



SBSP-058



## Sports Icons

SBSP-019	52 3/4" H x 32 11/16" W
SBSP-023	48" H x 48" W
SBSP-032	48" H x 48" W
SBSP-058	48" H x 48" W

- Add Atmosphere to Recreational Areas with Sports Bollards
- Fruit Bollards Make Ideal Accents for Supermarkets
- Welcome Zoo Guests with Animal Bollards
- Create Custom Bollards Unique to Your Business

SBSP-011



SBSP-014



SBSP-021



SBSP-022



## Fruit and Vegetable Icons

SBSP-018



SBSP-011	41 5/8" H x 42" W
SBSP-014	52 1/8" H x 35 5/8" W
SBSP-021	38 7/8" H x 42" W
SBSP-022	54 1/8" H x 33 1/8" W
SBSP-018	65 1/2" H x 50" W

## Custom "Cotton Bale" Icon

Stromberg bollards are available in a variety of high quality materials, finishes, and textures which are durable, and require little upkeep. Call us with questions. We are here to help.

# Ornamental Bollards by Stromberg



SBSP-025



SBSP-026



SBSP-131

SBSP-025		SBSP-026		SBSP-131	
H	W	H	W	H	W
24"	7"	24"	4"	24"	8"
30"	9"	30"	5"	30"	10"
36"	11"	36"	6"	36"	12"
42"	12"	42"	7"	42"	14"
48"	15"	48"	8"	48"	16"

Ornamental bollards are fully functional security barriers that are decorative, and visually pleasing to the eye. Choose from gently curved spheres, classically styled finials, or modern geometric shapes to compliment your landscape.

SBSP-005		SBSP-033	
H	W	H	W
24"	17"	24"	16"
30"	21"	30"	20"
36"	25"	36"	24"
42"	29"	42"	28"
48"	33"	48"	32"



SBSP-005



SBSP-033

- Stromberg Bollards are Built to Last
- Custom Designs Available
- Easy to Install
- American Made, and Manufacturer Direct

Contact us for a free, no obligation quote. We offer fast turn around, design assistance, specifications, and CAD details. Call us today.

# Bollards and Security Planters by Stromberg

Security Planters are decorative yet very strong safety structures. Deceptively ornate, Stromberg security planters can be built and installed to withstand heavy impacts. Combining strength and beauty, security planters add greenery as well as protection to outdoor pedestrian friendly areas.



SBSP-040



SBSP-043

SBSP-040		SBSP-043		SBSP-051		SBSP-060	
H	W	H	W	H	W	H	W
24"	32"	24"	29"	24"	30"	24"	24"
30"	40"	30"	36"	30"	37"	30"	31"
36"	48"	36"	44"	36"	45"	36"	37"
42"	56"	42"	51"	42"	53"	42"	43"
48"	64"	48"	58"	48"	61"	-	-



SBSP-051



SBSP-060

Custom Sizes Available

- Strong and Durable Materials
- Free Design Assistance
- Multiple Colors, and Textures Available
- Fast Turn Around



SBSP-042



SBSP-048

SBSP-042		SBSP-048		SBSP-049		SBSP-050	
H	W	H	W	H	W	H	W
24"	32"	24"	35"	24"	34"	24"	30"
30"	41"	30"	44"	30"	43"	30"	37"
36"	49"	36"	53"	36"	53"	36"	45"
42"	57"	42"	62"	42"	61"	42"	53"
48"	65"	48"	71"	48"	70"	48"	61"

Custom Sizes Available



SBSP-049



SBSP-050

Call us today for a custom quote. Our talented designers will create security planters that compliment the surrounding structures, while adding important safety elements to your landscape.



# Bollards and Security Planters by Stromberg



SBSP-061



SBSP-053

SBSP-046		SBSP-047		SBSP-053		SBSP-061	
H	W	H	W	H	W	H	W
24"	35"	24"	16"	24"	17"	24"	19"
30"	44"	30"	20"	30"	22"	30"	23"
36"	53"	36"	24"	36"	26"	36"	28"
42"	62"	42"	28"	42"	30"	42"	33"
48"	71"	48"	32"	48"	35"	48"	37"

Custom Sizes Available

Our American made products are crafted from quality materials, and are built to last.

With over 30 years experience, we have a solid reputation for satisfying our clients. Call us for a no obligation quote, and see what Stromberg can do for you.



SBSP-046



SBSP-047



SBSP-059



SBSP-062

SBSP-059		SBSP-062		SBSP-063		SBSP-086	
H	W	H	W	H	W	H	W
24"	34"	24"	25"	24"	28"	24"	23"
30"	42"	30"	32"	30"	35"	30"	29"
36"	51"	36"	38"	36"	41"	36"	35"
42"	59"	42"	44"	42"	48"	42"	41"
48"	68"	48"	51"	48"	55"	48"	47"

Custom Sizes Available

- Attractive and Low Maintenance
- Easy to Install
- Custom Designs Available
- Quality Materials



SBSP-063



SBSP-086

# Bollards and Security Planters by Stromberg



SBSP-100



SBSP-102

SBSP-100		SBSP-102		SBSP-105		SBSP-122	
H	W	H	W	H	W	H	W
24"	20"	24"	22"	24"	18"	24"	53"
30"	25"	30"	27"	30"	22"	30"	37"
36"	30"	36"	32"	36"	26"	36"	44"
42"	35"	42"	38"	42"	31"	42"	51"
-	-	-	-	-	-	48"	59"



SBSP-105



SBSP-122

Custom Sizes Available

Stromberg security planters are available in many sizes, colors, styles, and finishes. Choose the one that is most suited to your project.



SBSP-134



SBSP-135

SBSP-134		SBSP-135		SBSP-151		SBSP-152	
H	W	H	W	H	W	H	W
24"	22 ½"	18"	36"	18"	36"	18"	18"
30"	43"	24"	48"	24"	48"	24"	24"
36"	51 ½"	30"	60"	30"	60"	30"	30"
42"	60 ½"	36"	72"	36"	72"	36"	36"
48"	68 ¾"	42"	84"	42"	84"	42"	42"

Custom Sizes Available

- Security Planters are Beautiful Additions to Streets, Sidewalks, and Parks
- Prevents Parking in Areas Where Prohibited
- Protects Property Near Streets
- Creates Pedestrian Friendly Areas



SBSP-151



SBSP-152

# Bollards and Security Planters by Stromberg



SBSP-136



SBSP-137

SBSP-136		SBSP-137		SBSP-138		SBSP-145	
H	W	H	W	H	W	H	W
18"	24"	24"	29"	24"	42"	18"	24"
24"	32"	30"	37"	30"	52"	24"	32"
30"	40"	36"	45"	36"	63"	30"	40"
36"	48"	42"	52"	42"	73"	36"	48"
42"	56"	48"	60"	48"	84"	42"	56"



SBSP-138



SBSP-145

Custom Sizes Available

Our American made bollards and security planters are crafted from quality materials, and are built to stand the test of time.

Stromberg has more than 30 years experience, and a solid reputation for satisfying our clients. Call us today for a no obligation quote, and see what Stromberg can do for you.



SBSP-139



SBSP-140

SBSP-139		SBSP-140		SBSP-141		SBSP-142	
H	W	H	W	H	W	H	W
24"	36"	18"	24"	18"	24"	18"	24"
30"	45"	24"	32"	24"	32"	24"	32"
36"	54"	30"	40"	30"	40"	30"	40"
42"	63"	36"	48"	36"	48"	36"	48"
48"	72"	42"	56"	42"	56"	42"	56"

Custom Sizes Available

- Stromberg Security Planters are Available in Many Finishes, Colors, and Textures
- Complete Customization Available
- Free Design Assistance
- No Cost or Obligation Quote



SBSP-141



SBSP-142



# Bollards and Security Planters by Stromberg



SBSP-143		SBSP-144		SBSP-146		SBSP-147	
H	W	H	W	H	W	H	W
18"	24"	18"	24"	18"	24"	18"	24"
24"	32"	24"	32"	24"	32"	24"	32"
30"	40"	30"	40"	30"	40"	30"	40"
36"	48"	36"	48"	36"	48"	36"	48"
42"	56"	42"	56"	42"	56"	42"	56"



Custom Sizes Available

- Choose From Variety of Colors and Finishes
- American Made and Built to Last
- Quality Materials
- Installs Easily



SBSP-148		SBSP-149		SBSP-150	
H	W	H	W	H	W
18"	24"	18"	24"	18"	24"
24"	32"	24"	32"	24"	32"
30"	40"	30"	40"	30"	40"
36"	48"	36"	48"	36"	48"
42"	56"	42"	56"	42"	56"

Custom Sizes Available

Stromberg offers almost any finish you can think of. We will even match an existing finish for your restoration project.



# Bollards and Security Planters by Stromberg



SBSP-001



SBSP-004



SBSP-012



SBSP-035

SBSP-001		SBSP-004		SBSP-012		SBSP-035	
H	W	H	W	H	W	H	W
24"	36"	20"	20"	26"	82"	24"	18"
30"	42"	26"	26"	32"	101"	30"	22"
36"	48"	32"	32"	38"	120"	36"	26"
42"	54"	38"	38"	44"	139"	42"	31"
48"	60"	-	-	50"	158"	48"	35"

Custom Sizes Available

- Quality Materials
- Easy Installation
- Fast Turn Around
- Custom Designs



SBSP-093



SBSP-103

SBSP-093		SBSP-103	
H	W	H	W
24"	38 ½"	24"	73"
30"	48"	30"	91"
36"	57 ¾"	36"	110"
42"	67 ¼"	42"	128"
48"	76 ¾"	-	-

Stromberg bollards and security planters are crafted from a variety of quality materials such as Architectural Precast Concrete, Cast Stone, Glass Fiber Reinforced Concrete, Architectural Fiberglass, and Granite. Choose the material that is best suited to your project.

Not sure which one to choose? Call us. Our knowledgeable designers will answer your questions and help with CAD details and specifications.

# Bollards and Security Planters by Stromberg



SBSP-045



SBSP-056



SBSP-067



SBSP-085



SBSP-084



SBSP-087



SBSP-106



SBSP-133



SBSP-101

SBSP-045		SBSP-056		SBSP-067		SBSP-085	
H	W	H	W	H	W	H	W
24"	11"	24"	34"	24"	13"	24"	30"
30"	14"	30"	42"	30"	17"	30"	38"
36"	17"	36"	51"	36"	20"	36"	46"
42"	20"	42"	59"	42"	23"	42"	53"
48"	22"	-	-	-	-	48"	61"

Custom Sizes Available

Stromberg offers almost any finish you can think of. We will even match an existing finish for your restorative project.

SBSP-084		SBSP-087		SBSP-106		SBSP-133		SBSP-101	
H	W	H	W	H	W	H	W	H	W
24"	23"	24"	30"	24"	33"	24"	35"	24"	27"
30"	29"	30"	38"	30"	42"	30"	44"	30"	34"
36"	35"	36"	46"	36"	50"	36"	52"	36"	40"
42"	41"	42"	53"	42"	58"	42"	61"	42"	47"
-	-	48"	61"	48"	67"	-	-	48"	53"

Custom Sizes Available

- Made from Quality Materials
- Durable and Low Maintenance
- Easy to Install
- Attractive and Secure

# Bollards and Security Planters by Stromberg

Stromberg bollards are available in a variety of materials, finishes, and textures. Choose the one that best suits your needs.

- Architectural Precast Concrete
- Cast Stone
- Glass Fiber Reinforced Concrete (GFRC)
- Architectural Fiberglass
- Granite

## Benefits

- Quality Materials
- Custom Designs
- Fast Turn Around
- Free Design Assistance
- Your Satisfaction is Our Top Priority
- 30 Years Experience
- American Made
- Manufacturer Direct

## Need a Quote?

Contact us. We will provide a no cost or obligation proof for your review and approval.

We offer almost any texture you can think of. Need to match an existing finish? Give us a call, we can match it.

### Available Colors



Light Buff



Dark Buff



White



Brick Brown



Gray



Off White

### Available Finishes



Coral Finish



Patina Finish



Stone Finish



Weathered Finish



Wood Finish





# Security Planters Installation

Click link to see specifications:

<http://www.strombergarchitectural.com/specs>

