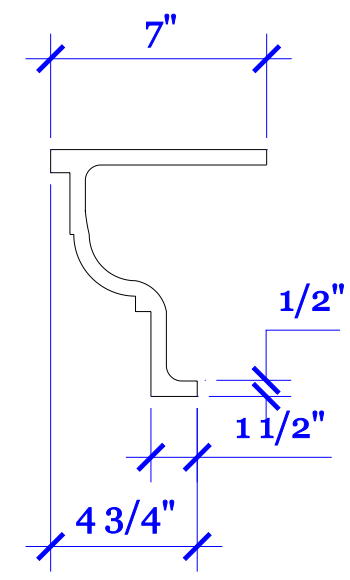



SCALE 1-1/2" = 1'



SECTION A

SCALE: 2" = 1'

PROJECT: ALABAMA SCHOOL OF M & S	TITLE:		APPROVED:	ITEM TAG:
CLIENT:	SCALE:	TOTAL SQ/FT	MOLD:	QTY. REQ:
CUSTOMER APPROVAL:	LAST REVISION:	APROX.MATERIAL WT:	CAST:	MATERIAL:
 <b>Stromberg Architectural Products</b> 4400 Oneal St, Greenville, TX. 75404 (903) 454-8682 FAX (903) 454-3642 <a href="http://www.strombergarchitectural.com">www.strombergarchitectural.com</a>	DATE: Sep 18,06 BY: BM	LBS	WEIGHT:	COLOR:
	FILE: AL SCHOOL OF M & S	PG:	SHIPPED:	TEXTURE: