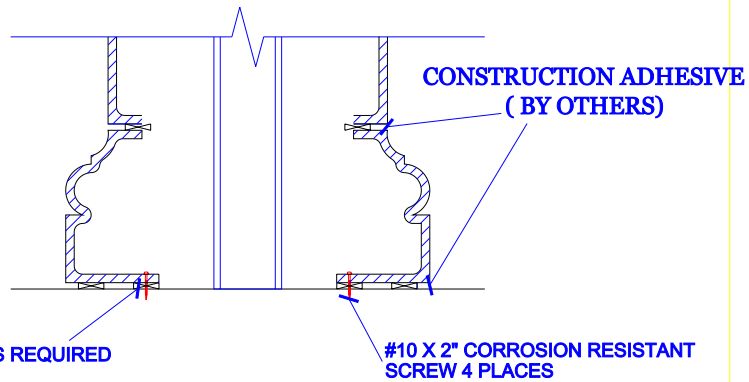
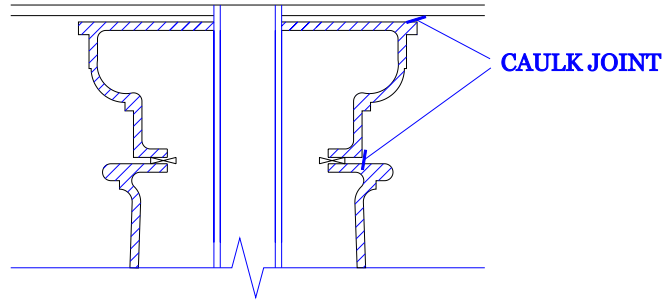
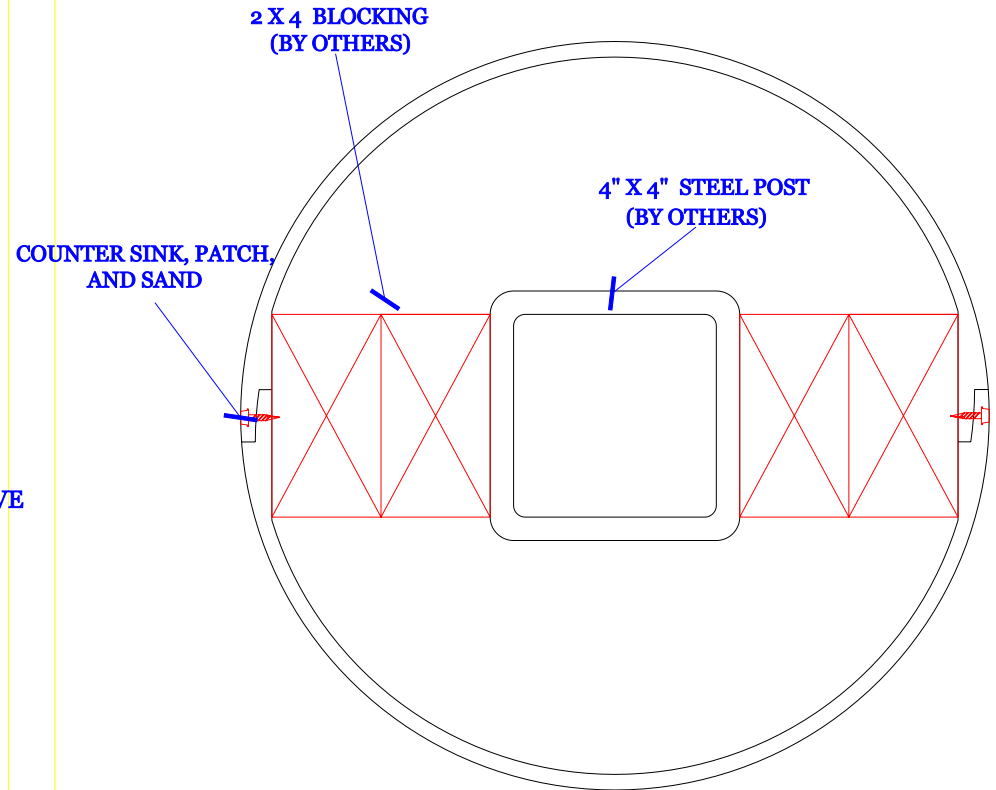


**SUGGESTED
INSTALLATION
SEQUENCE**

1. BASE
2. SHAFT
3. CAPITAL



CONSTRUCTION ADHESIVE CAN BE USED WITH OR IN PLACE OF CAULK
ALL JOINTS 3/8"+/-



Stromberg Architectural Products
4400 Oneal St, Greenville, TX. 75404 (903)454-8682 FAX (903)454-3642
www.strombergarchitectural.com

PROJECT: ALABAMA SCHOOL OF M & S
DATE: BY: LAST REVISION:

TITLE: MOUNTING PLAN
FILE: PG: