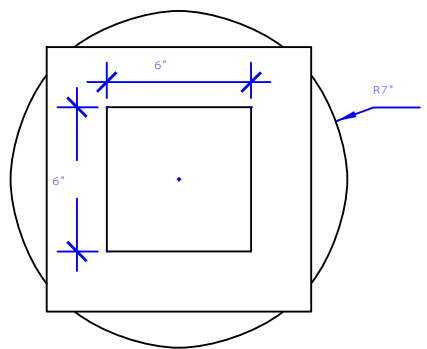



TOP VIEW



BOTTOM VIEW

REVISIONS:					ITEM TAG:	
DWG. APPROVED	MOLD	CAST	SHIPPED	TOTAL WT.	MATERIAL:	
					TOTAL # OF ITEM:	
PROJECT: ATASCOCITA HIGH SCHOOL			DRAWING TITLE:		TOTAL SQ./CU. FEET:	
LOCATION:			BALUSTER		COLOR:	
CLIENT:			TYPE DWG:		TEXTURE:	
CUSTOMER APPROVAL:			DRAWN BY:	SHEET:	REFERENCES:	
 Stromberg Architectural Products P.O. Box 8036, I-30 West, Greenville, TX 75404 (903) 454-8682 FAX (903) 454-3642					DATE:	SCALE: 1 1/2" = 1'
					DWG. SHEET:	