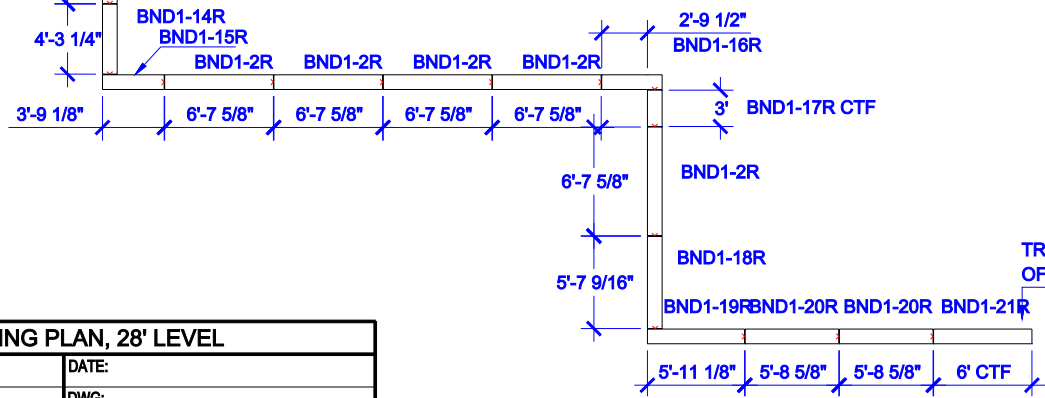
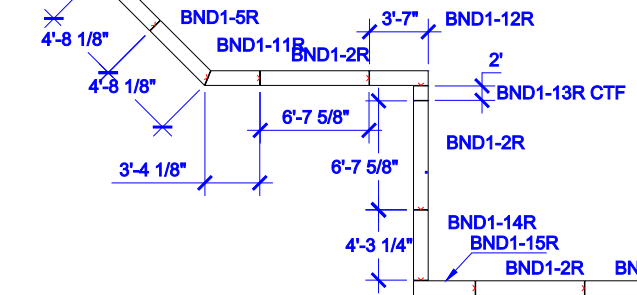
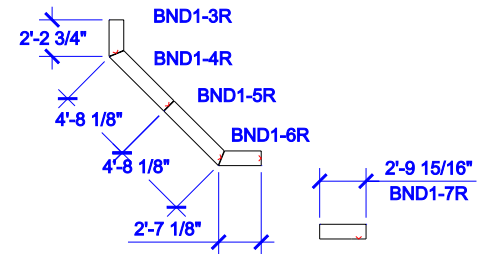
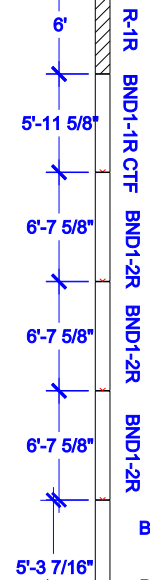


NEW PIECES

ALL PIECES MAY REQUIRE TRIMMING



TRIM TO CENTER OF BUILDING FACE

PROJECT: ATASCOCITA HIGH SCHOOL	REVISIONS:	TITLE: BAND BND-1 SETTING PLAN, 28' LEVEL
 P.O. Box 8036, I-30 West, Greenville, TX 75404 (903) 454-8682 FAX (903) 454-3642		DRAWN BY: DATE: SCALE: DWG: