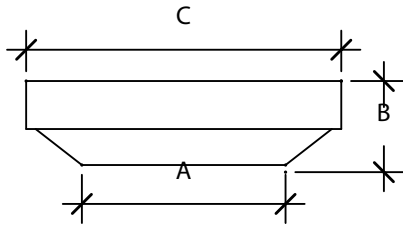
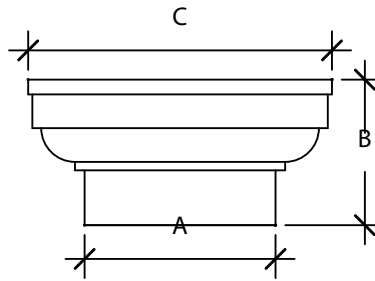


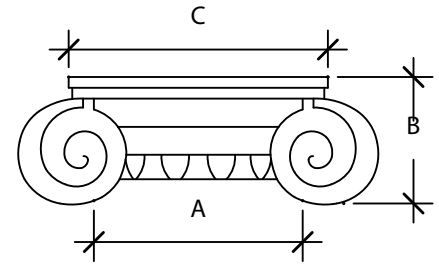
DIMENSION 'A' IS EQUAL TO THE BASE DIAMETER OF THE COLUMN SHAFT. DIMENSIONS 'B' AND 'C' ARE SCALED PROPORTIONALLY.



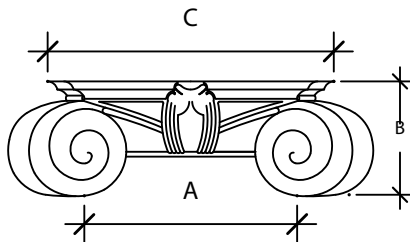
DORIC
STROMBERG ARCH. PROD.
DO-A"



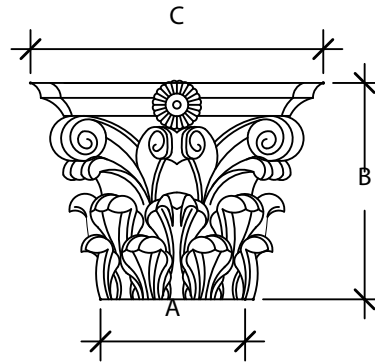
TUSCAN
STROMBERG ARCH. PROD.
TU-A"



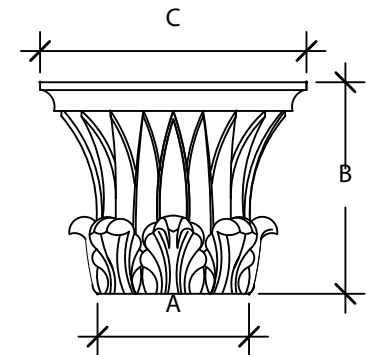
IONIC
STROMBERG ARCH. PROD.
IO-A"



SCAMOZZI
STROMEBRG ARCH. PROD.
SC-A"



ROMAN CORINTHIAN
STROMBERG ARCH. PROD.
RC-A"



GREEK CORINTHIAN
(TEMPLE OF THE WINDS)
STROMBERG ARCH. PROD.
GC-A"

Stromberg Architectural Products
P.O. Box 8036 Greenville, Texas, 75404
(903) 454-8682 FAX (903) 454-3642
www.strombergarchitectural.com

Stromberg Architectural Products

P.O. Box 8036 Greenville, Texas, 75404
(903) 454-8682 FAX (903) 454-3642
www.strombergarchitectural.com

TITLE:

TYPES OF CAPITALS

SCALE: 3/8"=1'

DWG NO: TYPES_OF_CAPITALS