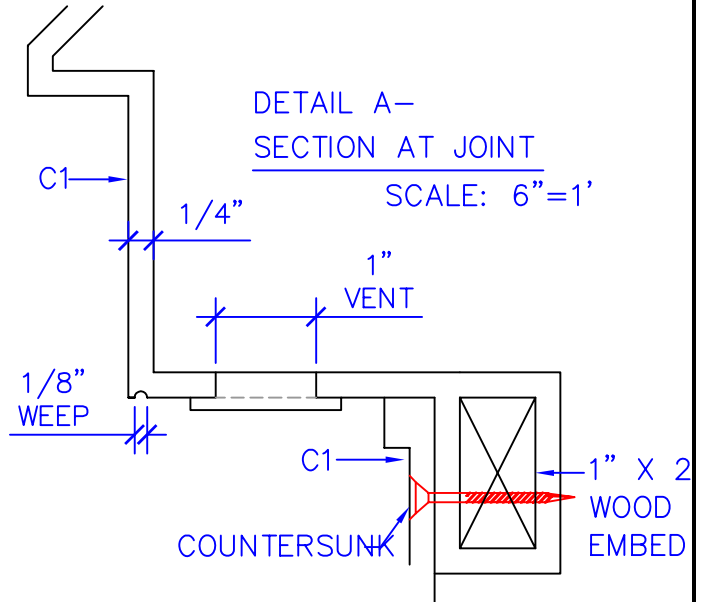
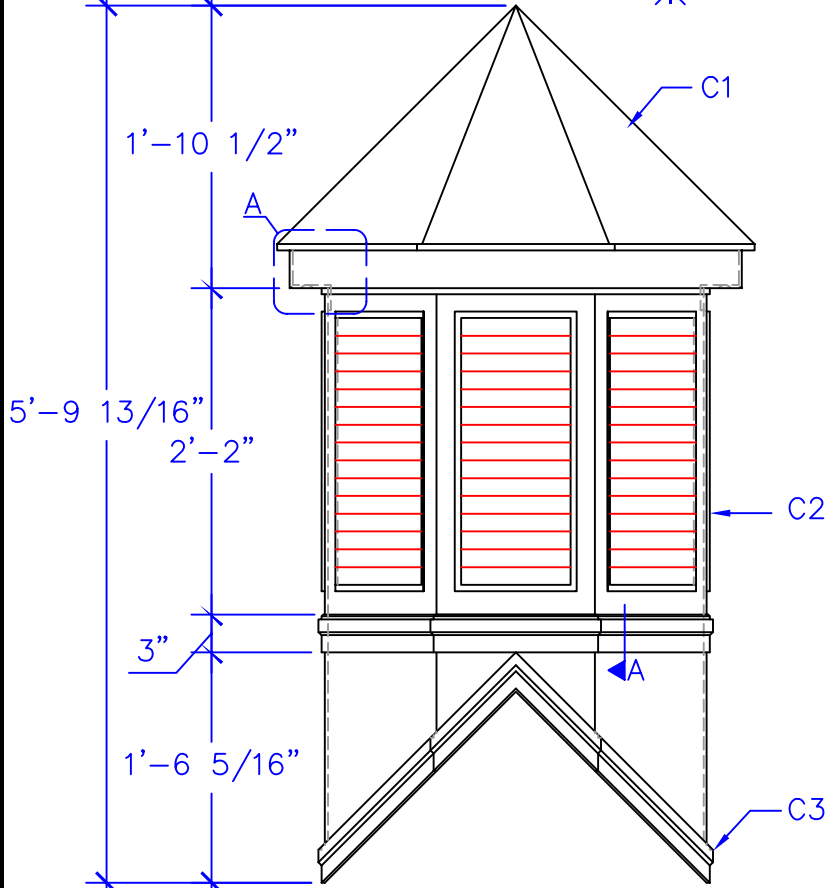


SECTION A, MOLDING
SCALE: FULL SCALE



DETAIL A-
SECTION AT JOINT
SCALE: 6"=1'

NOTE: C3-MOULDING TO BE MANUFACTURED AS SEPARATE PIECE AND CUT IN THE FIELD.

ITEM TAG: CUPOLA D	
MATERIAL:	
TOTAL # ITEM: 1	DRAWN BY: HB
DWG: CUPOLA_D	SHEET
DATE:	1 OF 1
TOTAL SQ.FT:	

REFERENCES: TELECON 8/29/03

Homburg Architectural Products
P.O. Box 8036, I-30 West, Greenville, TX 75404 (903) 454-8682 FAX (903) 454-3642

PROJECT:	CONTRACT NO:	REVISION
LOCATION:	DRAWING TITLE:	
ARCHITECT:	CUPOLA-D	
G.C.:	SCALE: 3/8" = 1'	