

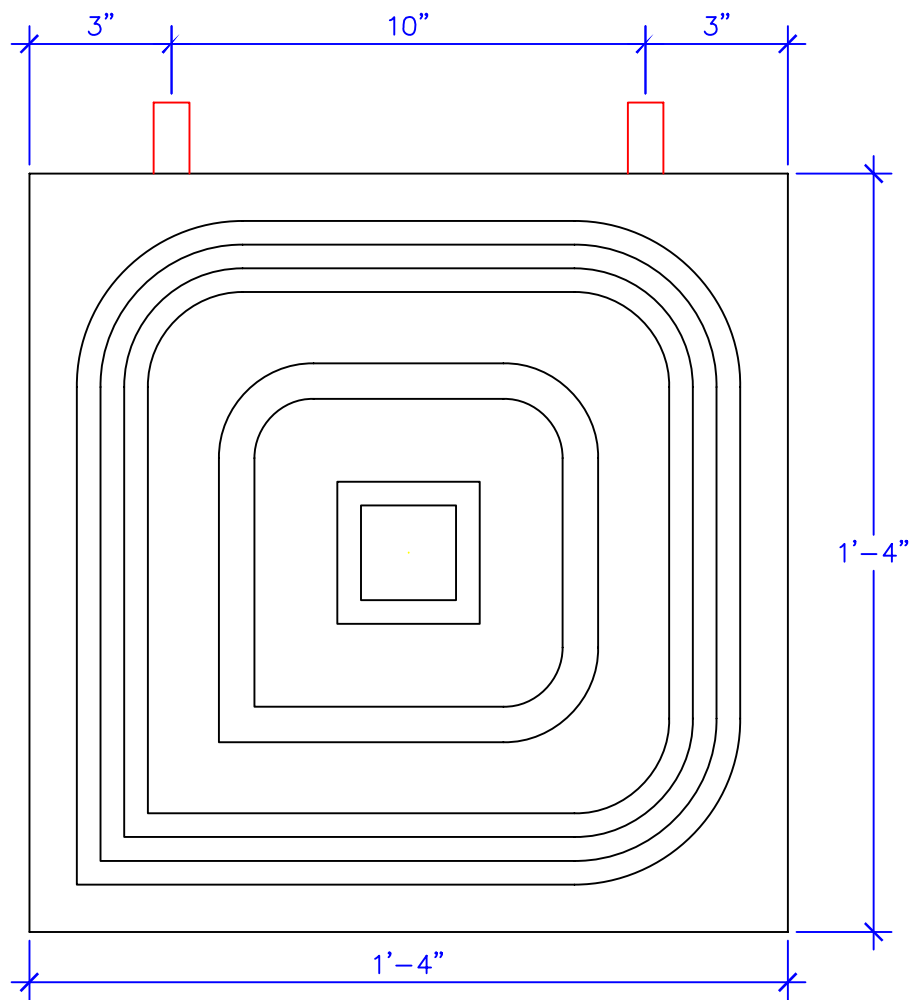


| | | | | | | | |
|--|------|------|--|-----------|----------------|----------------------|-------------|
| DWG. APPROVED | MOLD | CAST | SHIPPED | TOTAL WT. | REFERENCES | ITEM TAG: P1B | |
| | | | | | | MATERIAL: | |
| PROJECT: ANTHROPOLOGIE | | | DRAWING TITLE: | | REVISIONS | TOTAL # OF ITEM: | |
| LOCATION: | | | | | | TOTAL CU. FEET: | |
| CLIENT: | | | | | | COLOR: | |
| CUSTOMER APPROVAL: | | | TYPE DWG: FABRICATION | | | TEXTURE: | |
| | | | | | | DRAWN BY: | DATE: |
|  Stromberg Architectural Products P.O. Box 8036, I-30 West, Greenville, TX 75404 (903) 454-8682 FAX (903) 454-3642 | | |  | | SCALE: 3" = 1' | SHT: | DWG. SHEET: |



STL STRAP

