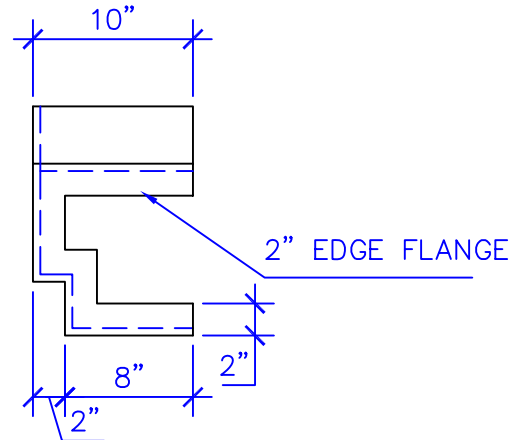
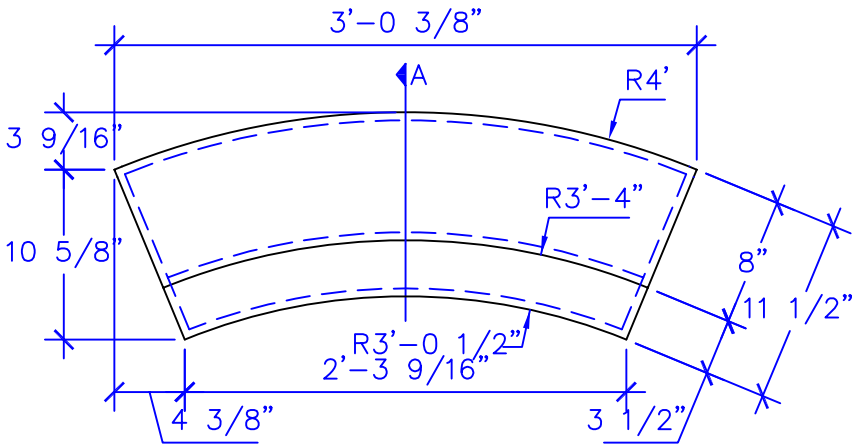


SECTION A



ITEM TAG:

MATERIAL:

REFERENCES:

TOTAL # OF ITEM:

DWG. APPROVED	MOLD	CAST	SHIPPED	TOTAL WT.

TOTAL SQ./CU. FEET:

COLOR:

PROJECT: COMMERCE BANK

DRAWING TITLE:

TEXTURE:

LOCATION:

REVISIONS

CLIENT:

TYPE DWG:

CUSTOMER APPROVAL:

SCALE:

DRAWN BY:

SHT:



Stromberg Architectural Products

P.O. Box 8036, I-30 West, Greenville, TX 75404 (903) 454-8682 FAX (903) 454-3642



DWG:

SHEET

DATE: