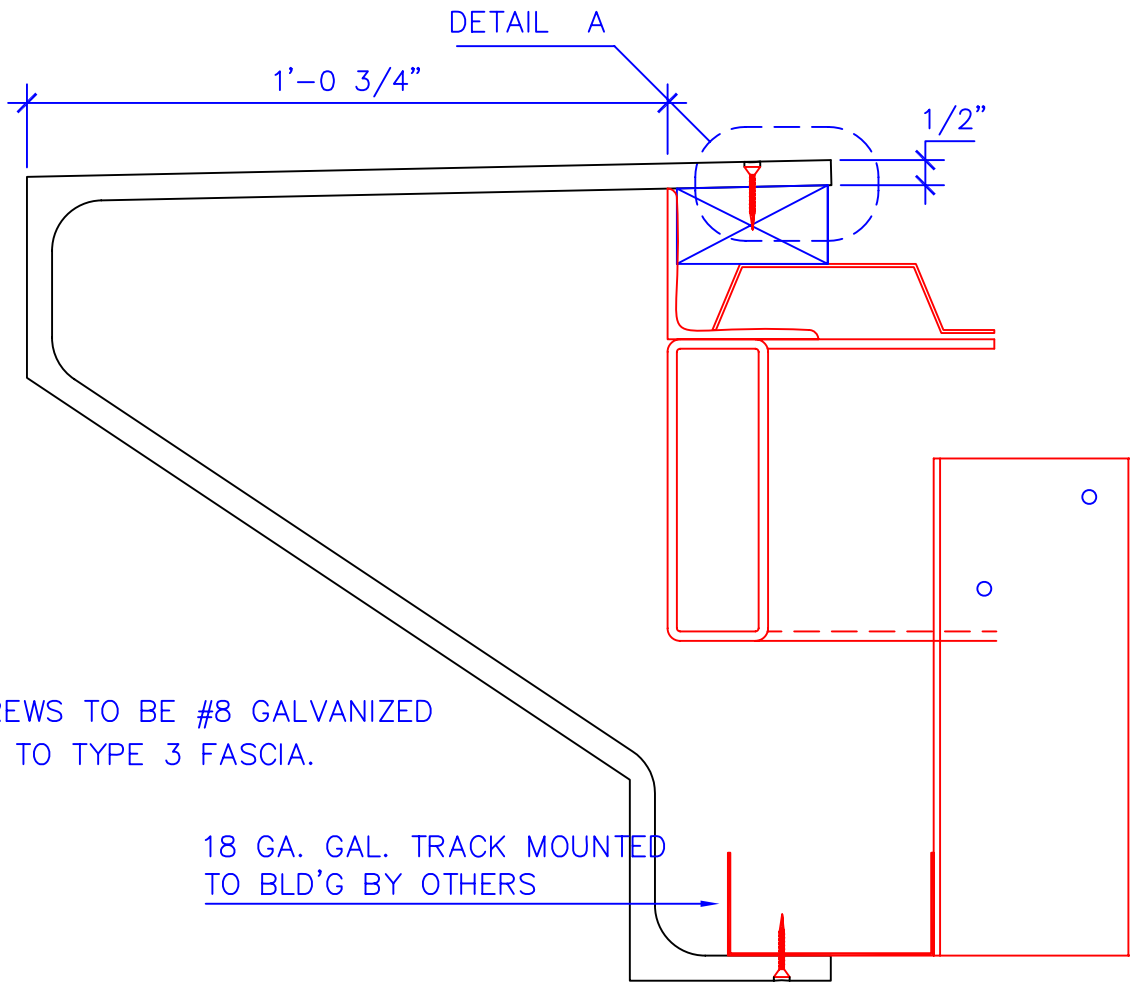


COUNTERSINK SCREWS $< 1/8'$
FILL AND DRESS HOLES.

BEVEL TOP OF BLOCKING
AT $1/4''$ PER FOOT SLOPE.

DETAIL A
SCALE: FULL SIZE



ALL SCREWS TO BE #8 GALVANIZED
APPLIES TO TYPE 3 FASCIA.

18 GA. GAL. TRACK MOUNTED
TO BLD'G BY OTHERS

PROJECT: TITLE: FASCIA, PROFILE 2, MOUNTING

REVISIONS: TYPE DWG: DRAWN BY:



Stromberg Architectural Products

P.O. Box 8036, I-30 West, Greenville, TX 75404 (903) 454-8682 FAX (903) 454-3642



SCALE: 3" = 1'

DATE:

DWG. SHEET: