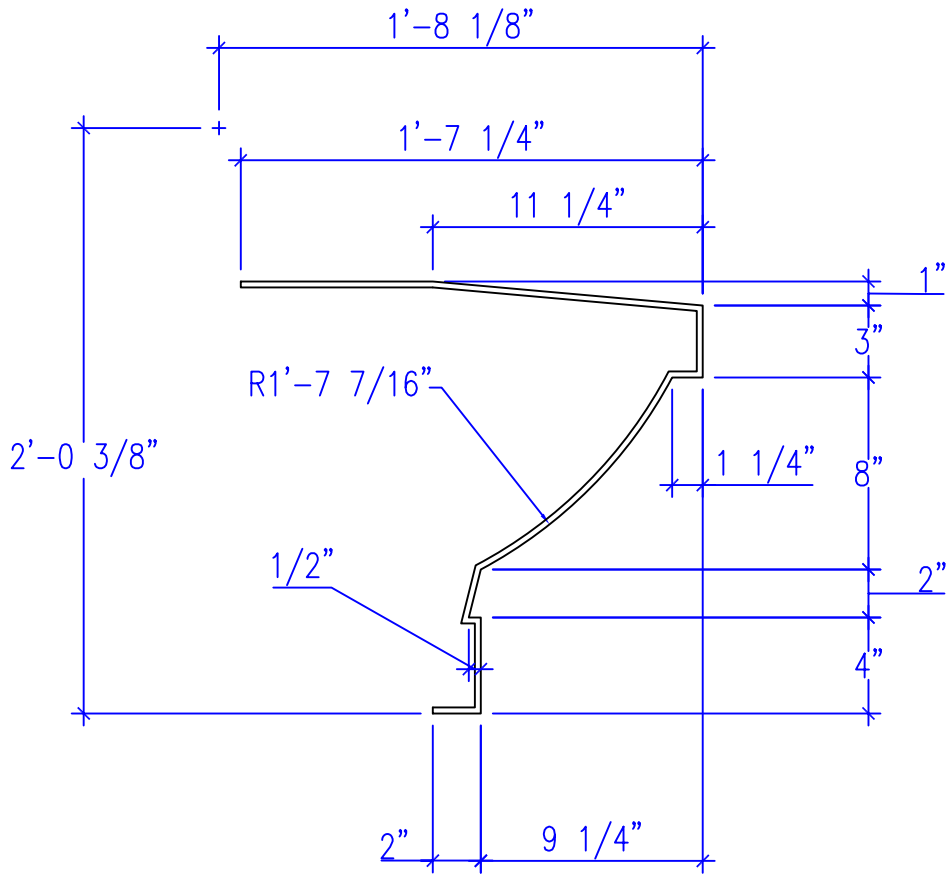


MOLD	CAST	SHIPPED	TOTAL WT.



SECTION - A -  
CORNICE PROFILE



**Stromberg**  
Architectural Products

P.O. Box 8036, I-30 West, Greenville, TX 75404  
(903) 454-8682 FAX (903) 454-3642  
www.strombergarchitectural.com

PROJECT:

CLIENT:

LOCATION:

APPROVALS

\_\_\_\_\_  
\_\_\_\_\_  
\_\_\_\_\_

NOTE AND REFERENCES

\_\_\_\_\_  
\_\_\_\_\_  
\_\_\_\_\_

PART DESCRIPTION

\_\_\_\_\_  
\_\_\_\_\_  
\_\_\_\_\_

PRODUCT SPECIFICATIONS

ITEM TAG	TOTAL REQUIRED
-	-

MATERIAL:

COLOR:

TEXTURE:

AREA:

SCALE: 1 1/2" = 1'	
DRAWN BY:	
DATE:	REVISION: