



Stromberg Architectural Products
 P.O. Box 8036, 130 West, Greenville, TX 75404
 (903) 454-8682 FAX (903) 454-3642



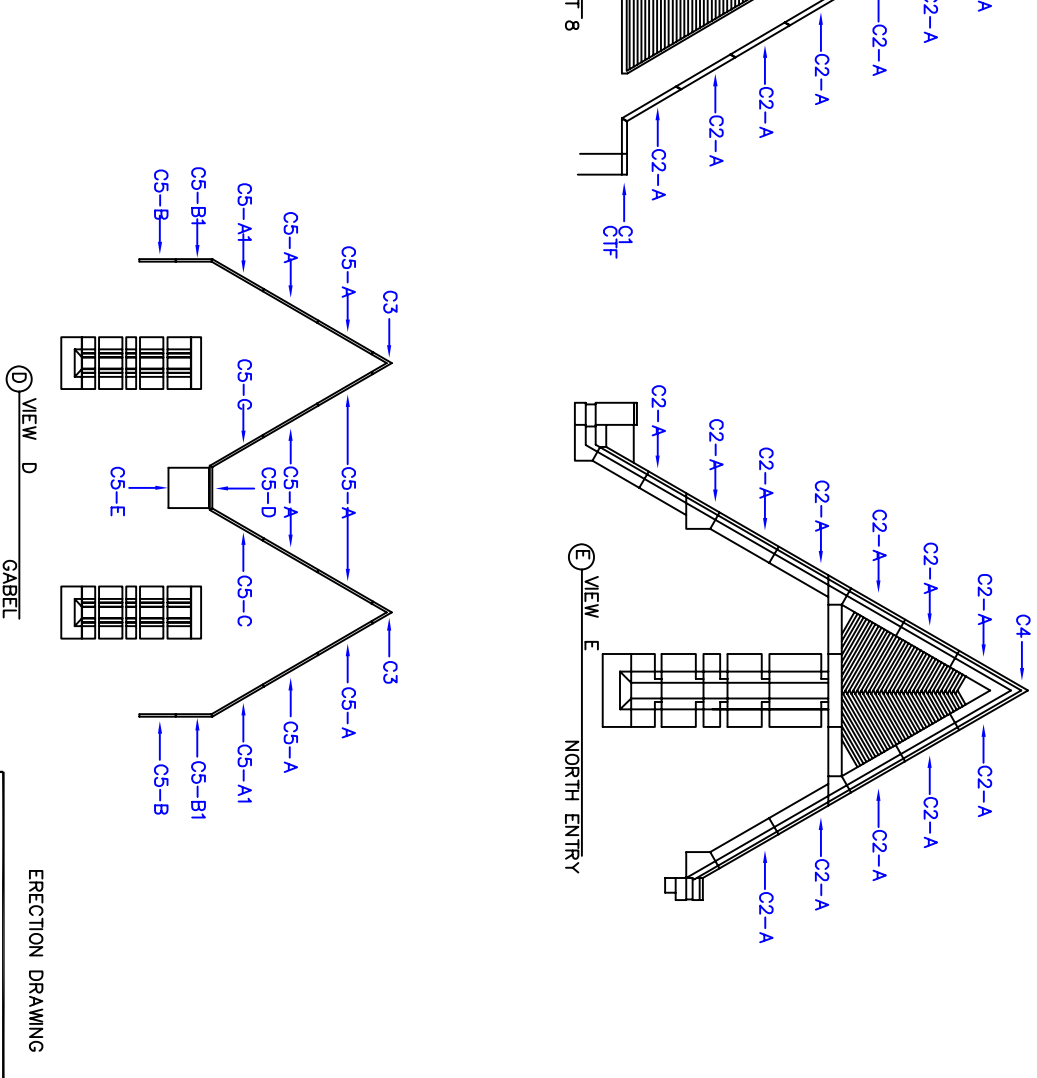
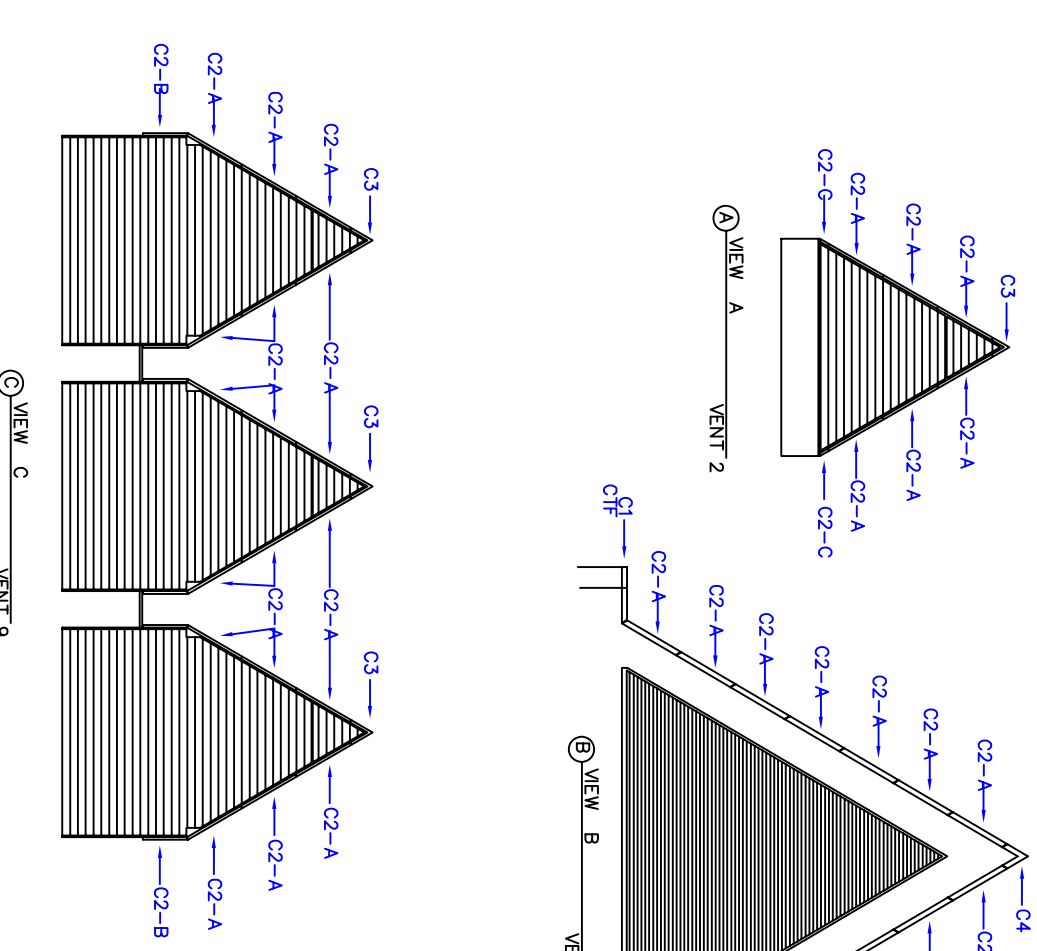
PROJECT:	LOCATION:
CLIENT:	CUSTOMER APPROVAL:

DRAWING TITLE:
**PARAPET CAP
 SETTING PLAN**

REVISION	DATE

DWG:	DRAWN BY:	SHEET
DATE:	DATE:	
APPROVED BY:		

**PARAPET CAP
 SETTING PLAN**



ERECTION DRAWING