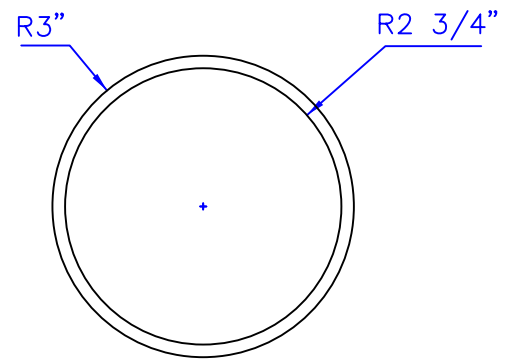


SECTION A



SECTION B

ITEM TAG: **FIXTURE 1**

MATERIAL:

TOTAL # OF ITEM:

TOTAL SQ./CU. FEET:

COLOR:

TEXTURE:

REVISIONS

REFERENCES:

DWG. APPROVED	MOLD	CAST	SHIPPED	TOTAL WT.

PROJECT:

DRAWING TITLE:

LOCATION:

**FIXTURE 1
18 FEET TALL**

CLIENT:

TYPE DWG:

CUSTOMER APPROVAL:

SCALE:

DRAWN BY:

SHT:



Stromberg Architectural Products

P.O. Box 8036, I-30 West, Greenville, TX 75404 (903) 454-8682 FAX (903) 454-3642

DWG: FIXTURE_1

DATE:

SHEET

1 OF **1**