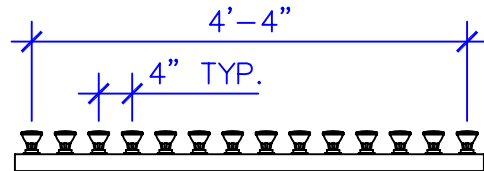
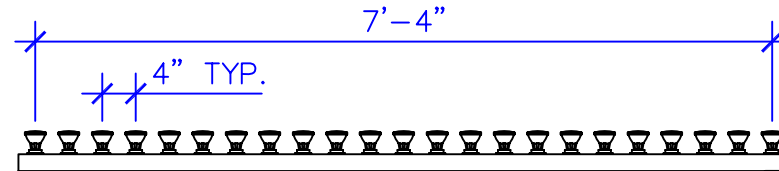


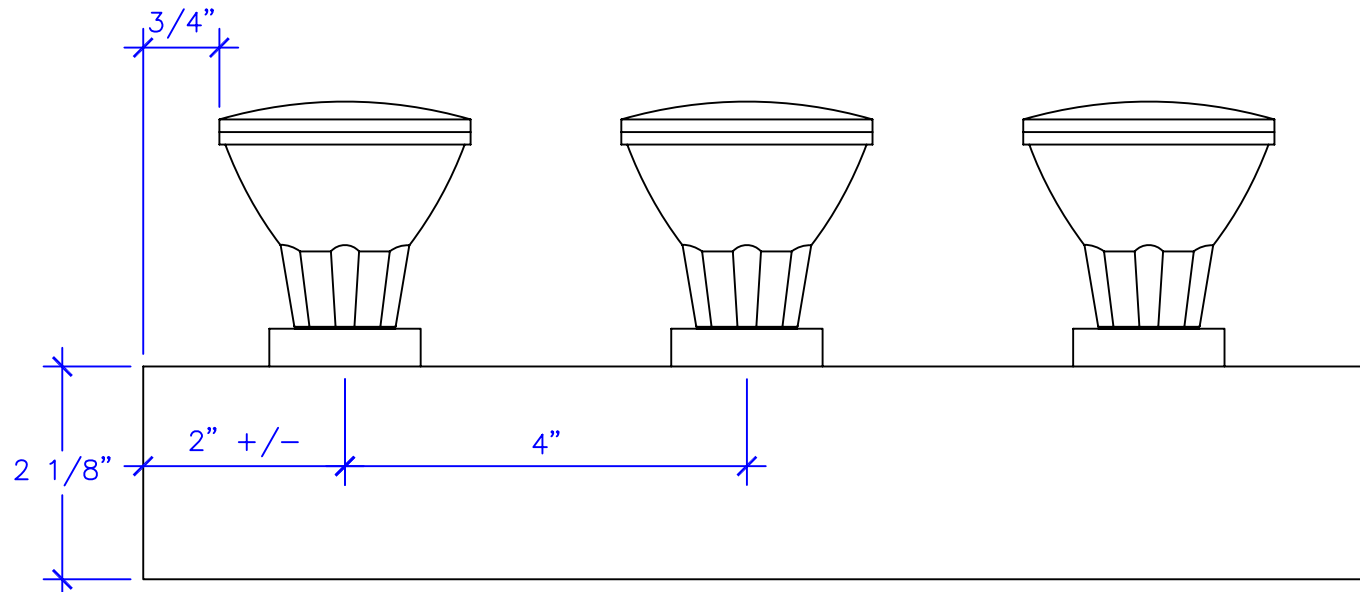
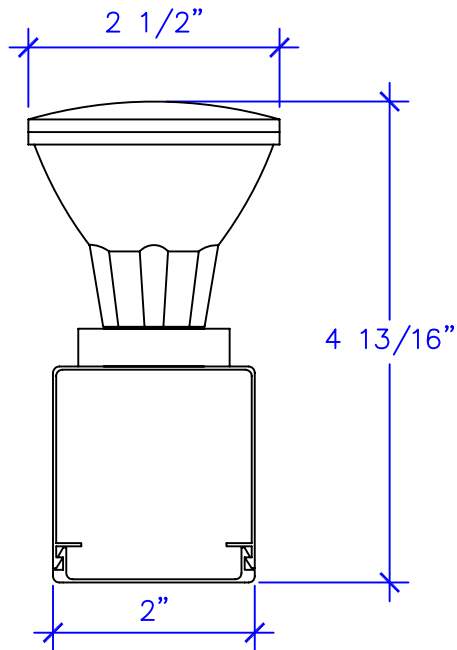
47 LAMPS (3 UNITS)



14 LAMPS (1 UNIT)



23 LAMPS (1 UNIT)



PROJECT:

REVISIONS:

TITLE:



Stromberg Architectural Products

P.O. Box 8036, I-30 West, Greenville, TX 75404 (903) 454-8682 FAX (903) 454-3642

TYPE DWG:

DATE:

DRAWN BY:

SCALE:

DWG. SHEET: