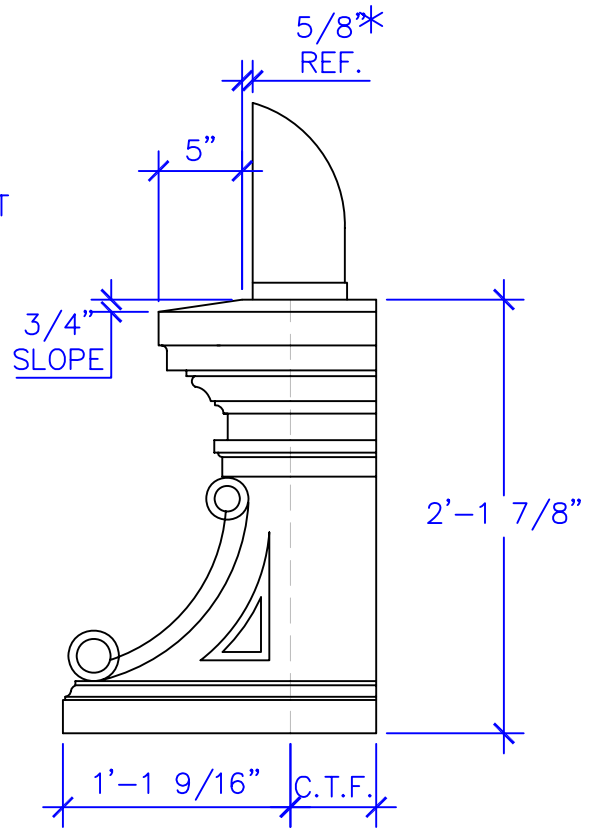
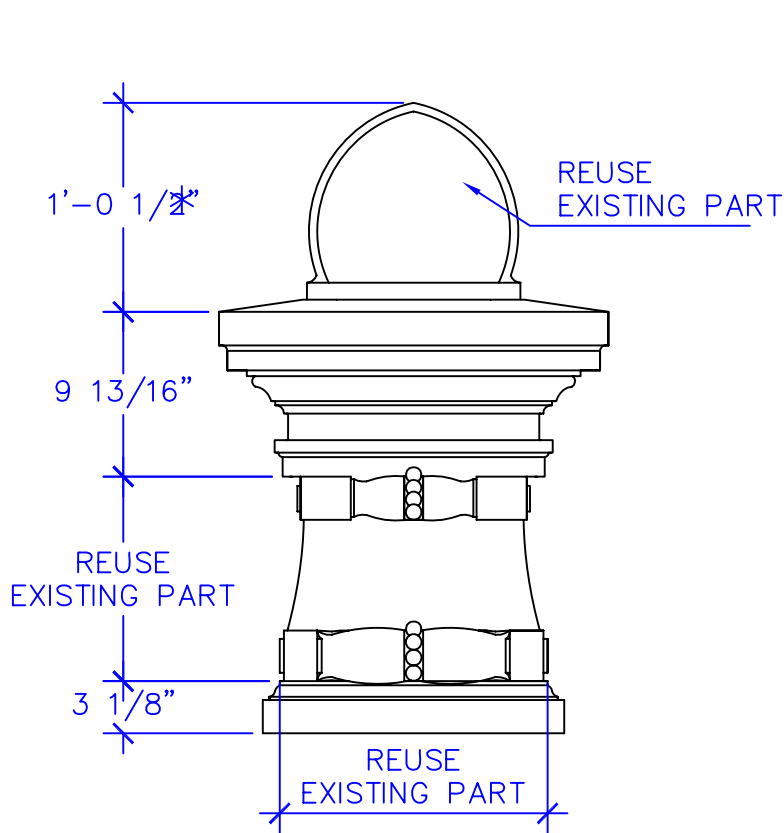



TOP VIEW



SIDE VIEW

REVISIONS:					ITEM TAG: BUTTRESS
DWG. APPROVED	MOLD	CAST	SHIPPED	TOTAL WT.	MATERIAL: GFRG
					TOTAL # OF ITEM:
PROJECT:			DRAWING TITLE:		TOTAL SQ./CU. FEET:
LOCATION:			BALDACHIN BUTTRESS		COLOR:
CLIENT:			TYPE DWG:		TEXTURE:
CUSTOMER APPROVAL:			DRAWN BY:	SHEET:	REFERENCES:
 Stromberg Architectural Products P.O. Box 8036, I-30 West, Greenville, TX 75404 (903) 454-8682 FAX (903) 454-3642					DATE:
					SCALE: 3/4" = 1'
					DWG. SHEET: