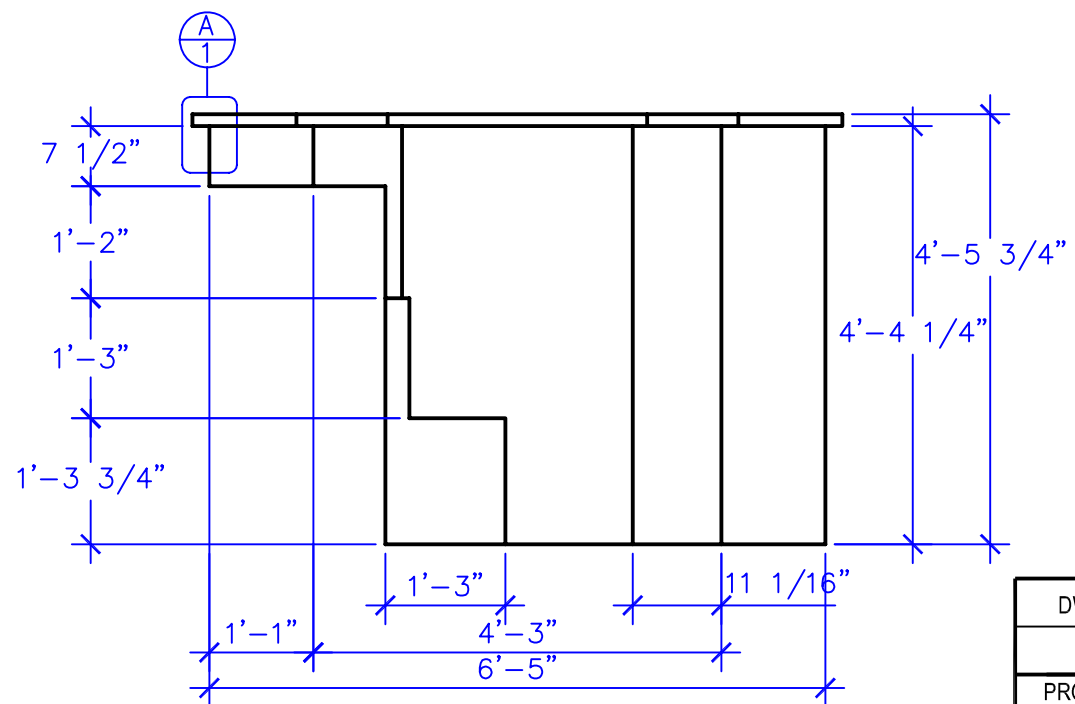
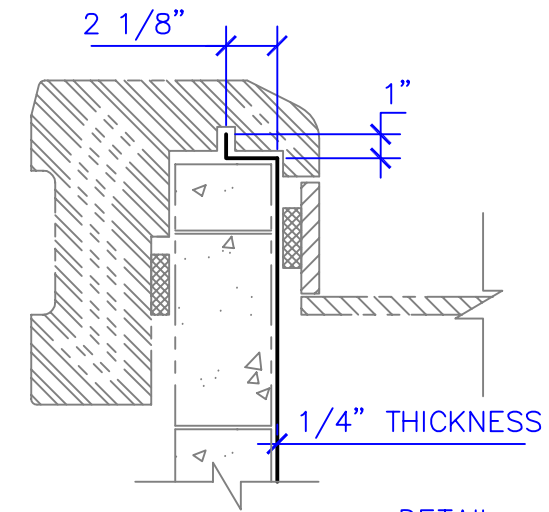



SAC.1.1. POOL LINER SECTION - B -



SAC.1.1. POOL LINER SECTION - A -



DETAIL - A - SCALE: 1 1/2" = 1'
(SHOW FINAL MOUNTING TO REFERENCE)

DWG. APPROVED	MOLD	CAST	SHIPPED	TOTAL WT.	REFERENCES	ITEM TAG: POOL LINER
						MATERIAL: G.F.R.P.
PROJECT:	DRAWING TITLE:				TOTAL # OF ITEM:	
LOCATION:	BAPTISM POOL			REVISIONS	TOTAL SQ/FEET:	
CLIENT:	WATER PROOF LINER				COLOR:	
CUSTOMER APPROVAL:	TYPE DWG: FABRICATION				TEXTURE:	
 Stromberg Architectural Products P.O. Box 8036, I-30 West, Greenville, TX 75404 (903) 454-8682 FAX (903) 454-3642					DRAWN BY:	DATE:
					SCALE: 1/2" = 1' SHT:	