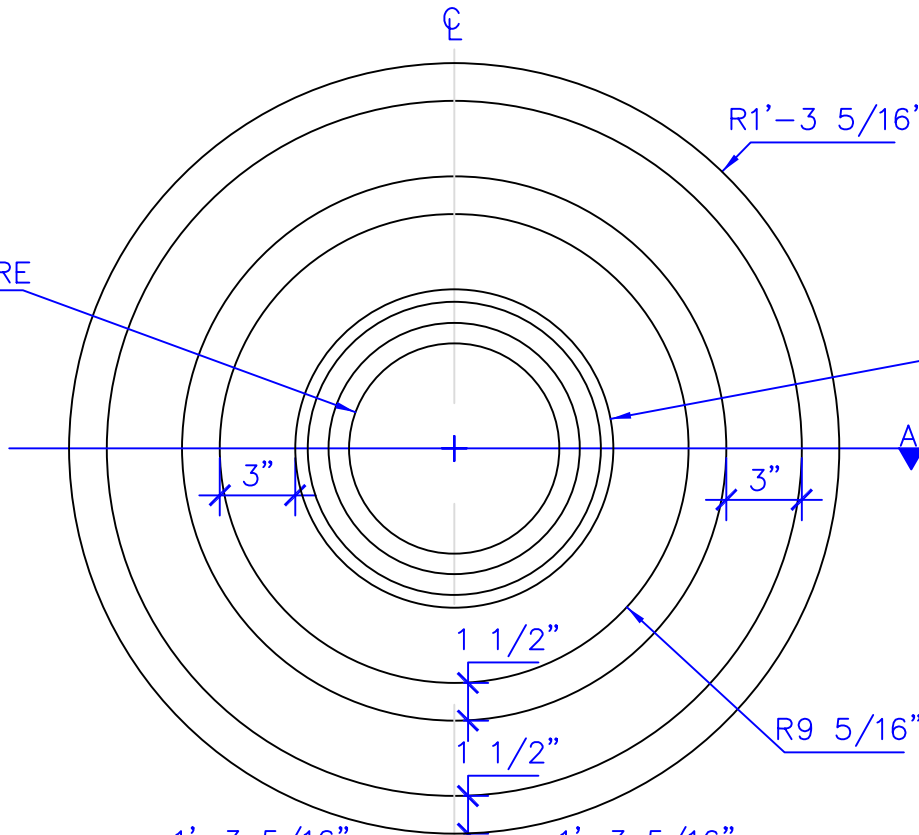


R4 3/16"
EIGHT FIXTURE

R1'-3 5/16"

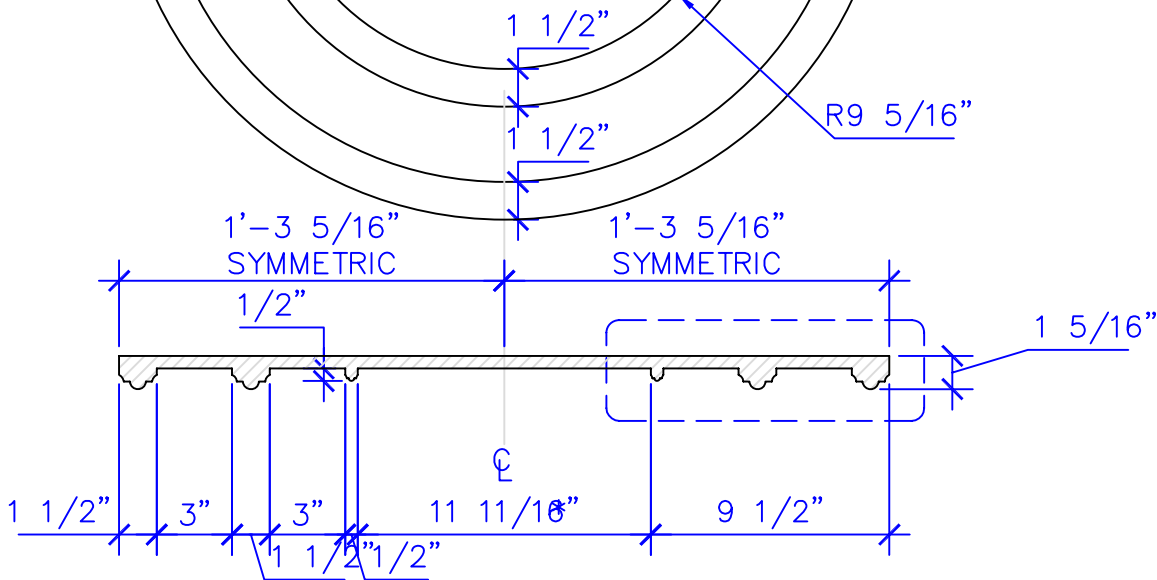
R6 5/16"



1'-3 5/16"
SYMMETRIC

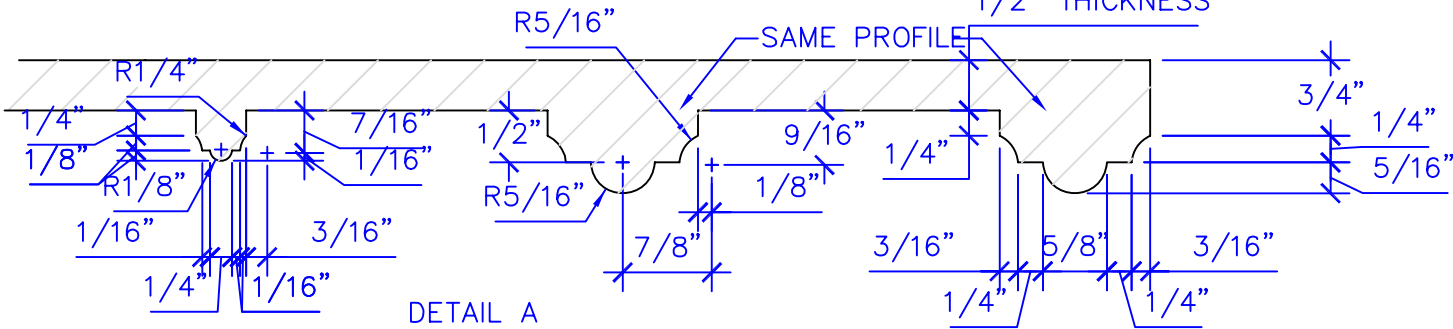
1'-3 5/16"
SYMMETRIC

1 5/16"



SECTION A

1/2" THICKNESS



DETAIL A

SCALE: 6" = 1'

REVISIONS:

DWG. APPROVED

MOLD

CAST

SHIPPED

TOTAL WT.

ITEM TAG: **ROSETTE**

MATERIAL: **GFRG**

TOTAL # OF ITEM:

PROJECT:

DRAWING TITLE:

TOTAL SQ./CU. FEET:

LOCATION:

ROSETTE

COLOR:

CLIENT:

TYPE DWG: FABRICATION

TEXTURE:

CUSTOMER APPROVAL:

DRAWN BY:

SHEET:

REFERENCES:



Stromberg Architectural Products

P.O. Box 8036, I-30 West, Greenville, TX 75404 (903) 454-8682 FAX (903) 454-3642



DATE:

SCALE:

DWG. SHEET: