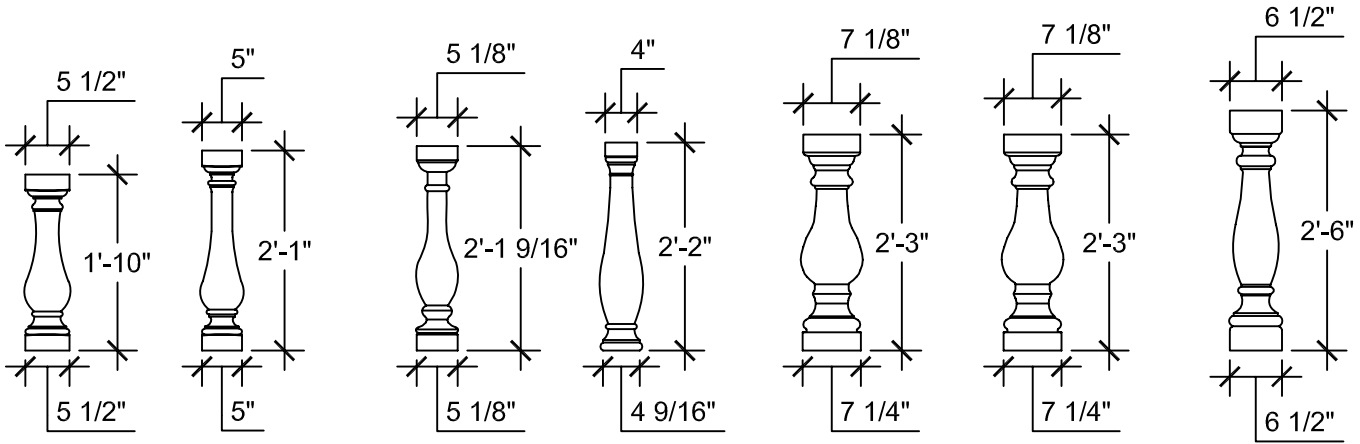
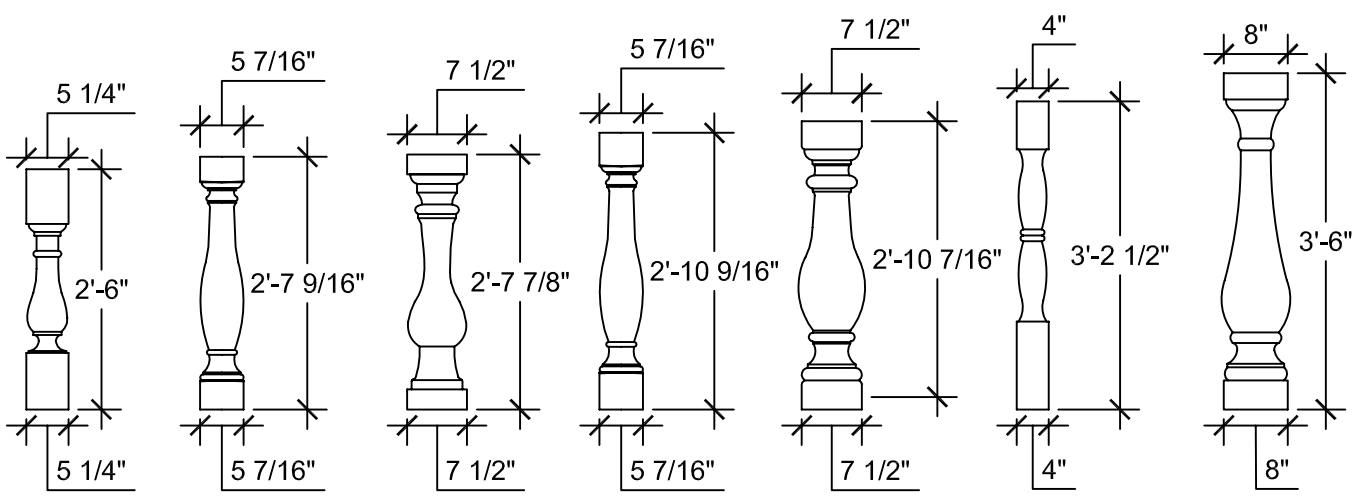


G12      G15      G15M      G16      G18      G20      G21



G22      G25      G26      G26M      G27      G29      G30



G30M      G31      G32      G34      G36      G38      G42

ALL RIGHTS RESERVED. THIS DRAWING IS PROPERTY OF STROMBERG ARCHITECTURAL PRODUCTS INC. AND MAY BE USED ONLY WHEN UTILIZING STROMBERG ARCH. PRODUCTS. STROMBERG GENERAL TERMS AND CONDITIONS APPLY AND ARE INCORPORATED HERE IN BY REFERENCE. THIS DETAIL MAY NOT APPLY TO ALL CONDITIONS AND CONSTRUCTION SITUATIONS.

PROJECT: BALUSTERS		TITLE: ALL G BALUSTERS	
REVISIONS:		TYPE DWG: .	DRAWN BY: .
 <b>Stromberg Architectural Products</b>  4400 Oneal Street, Greenville, TX 75404 (903) 454-0904 FAX (903) 454-3642		SCALE: 1/2" = 1'	DATE: 7/29/09
		DWG. SHEET: .	.