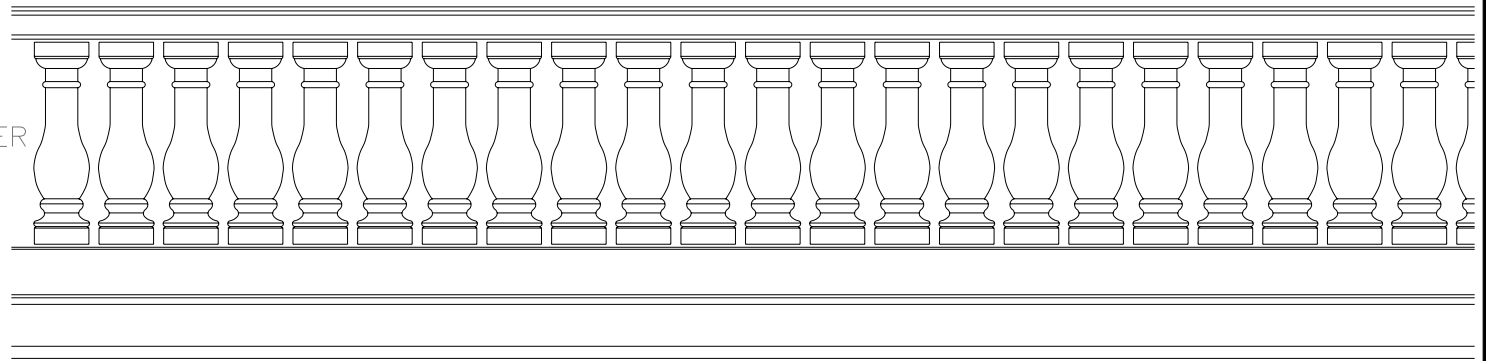


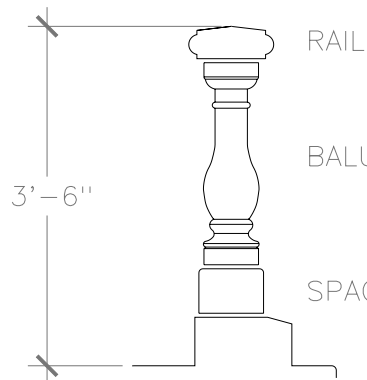
RAIL

BALUSTER

RAIL



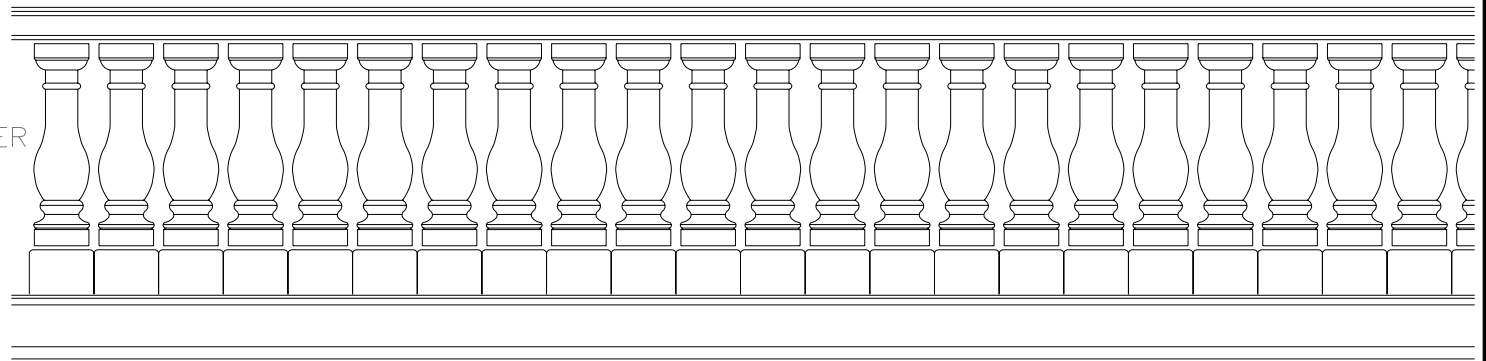
WITH SOLID BASE RAIL



RAIL

BALUSTER

SPACER



WITH INDIVIDUAL SPACERS

ITEM TAG: BALUSTRADE PROFILE
 MATERIAL: CAST STONE

DRAWING REFERENCE		ACTION COMPLETED								
SHEET:		CAD	PRODUCTION	MOLD	FINISHED	PACKED	SHIPPED	RECEIVED	DWG: BALUSTRADE_PROFI	DRAWN BY:
VIEWS:									DATE:	SHEET
SHEET:		 Stromberg Architectural Products P.O. Box 8036, I-30 West, Greenville, TX 75404 (903) 454-8682 FAX (903) 454-3642 							CHECKED BY:	1 OF 1
VIEWS:									APPROVED BY:	
SHEET:		PROJECT:				CONTRACT NO:			REVISION	DATE
VIEWS:		LOCATION:				DRAWING TITLE:				
SHEET:		ARCHITECT:				BALUSTRADE PROFILE				
VIEWS:		G.C.				SCALE: 3/16" = 1'				