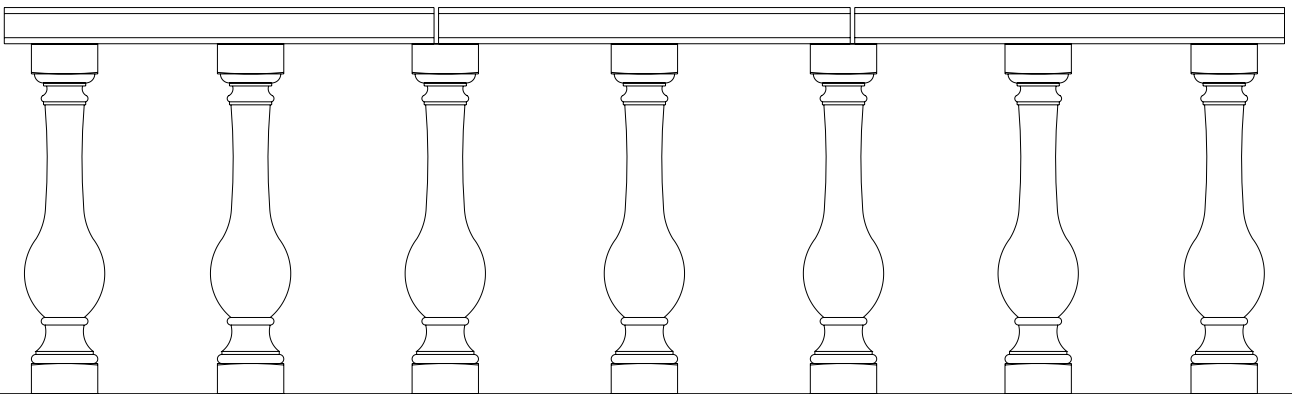
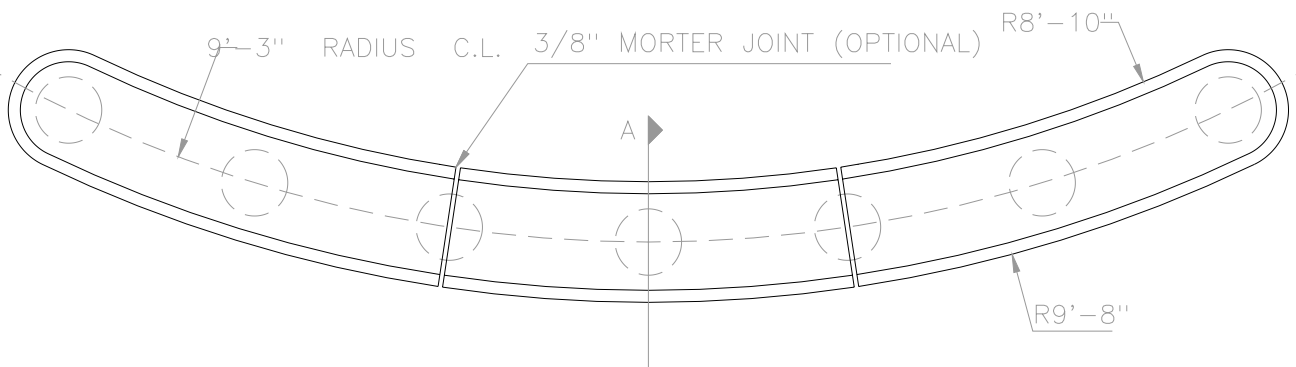


DETAIL A
1-1/2" = 1'



Stromberg Architectural Products
P.O. Box 8036, I-30 West, Greenville, TX 75404 (903) 454-8682 FAX (903) 454-3642



BALUSTRADE TOP RAIL
PROPOSAL

PROJECT:	DRAWING TITLE:	DRAWN BY:	SHEET
LOCATION:	BALUSTRADE TOP RAIL	APPROVED BY:	1 OF 1
ARCHITECT:	PROPOSAL	REVISION	DATE
G.C.:	SCALE: 3/4" = 1'	SECTION VIEW	
DWG.:	DATE:		