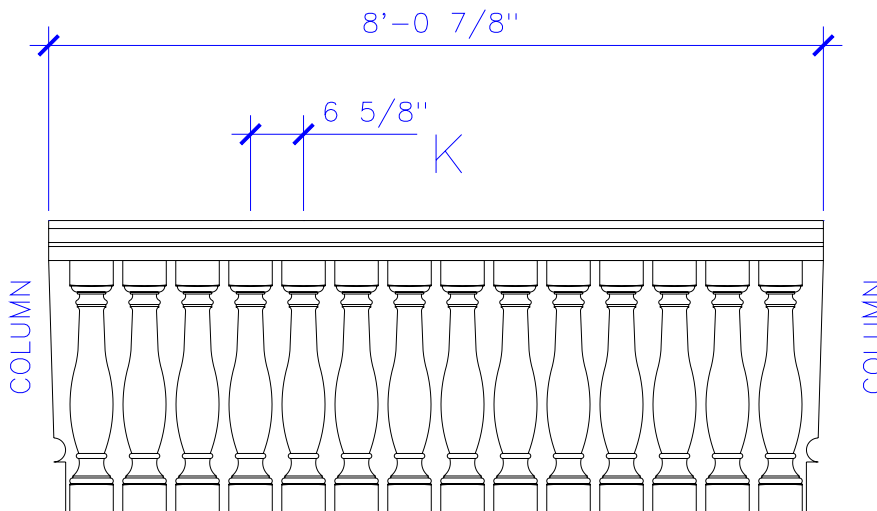


WEST ELEVATION AT GRID 1.2



PROJECT: TITLE: BALUSTRADE SETTING PLAN, 1ST FLOOR

REVISIONS: TYPE DWG: SETTING PLAN DRAWN BY:



Stromberg Architectural Products
 P.O. Box 8036, I-30 West, Greenville, TX 75404 (903) 454-8682 FAX (903) 454-3642



SCALE: 1/8" = DATE:
 DWG. SHEET: FPMB.-.-.S.2.R0