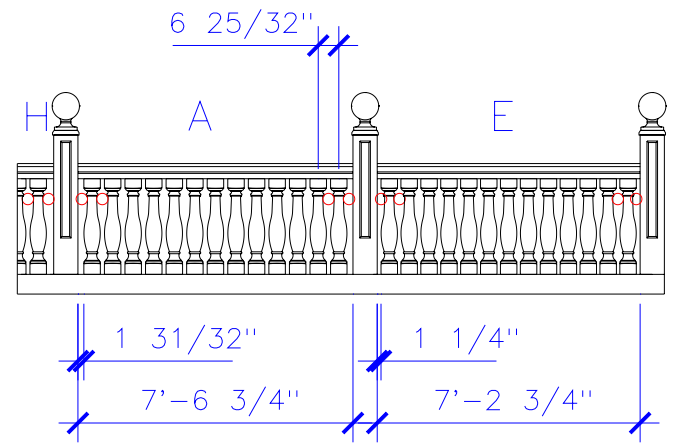



WEST ELEVATION



SOUTH ELEVATION

PROJECT:	REVISIONS:	TITLE: BALUSTRADE SETTING PLAN, BALCONY		
 Stromberg Architectural Products P.O. Box 8036, I-30 West, Greenville, TX 75404 (903) 454-8682 FAX (903) 454-3642		TYPE DWG: SETTING PLAN	DATE:	DRAWN BY:
		SCALE: $3/16'' = 1'$	DWG. SHEET: FPMB.-.-S.3.R2	