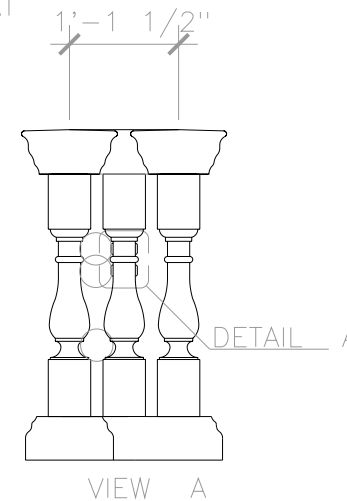
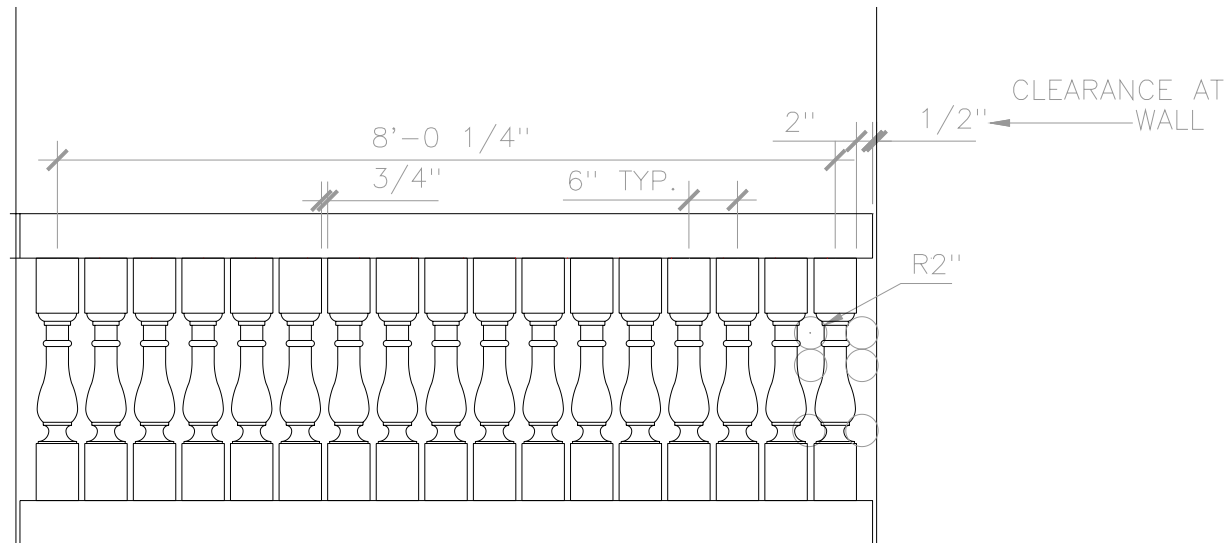
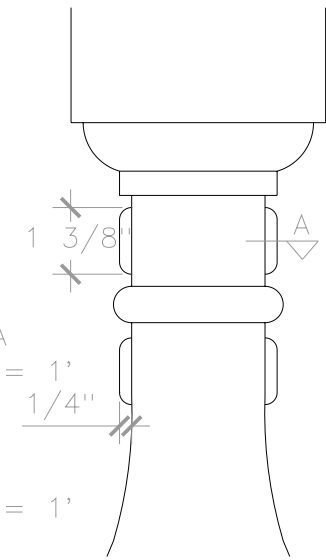


SECTION A
SCALE: 6" = 1'

DETAIL A
SCALE: 3" = 1'



VIEW A



Stromberg Architectural Products

P.O. Box 8036, I-30 West, Greenville, TX 75404

(903) 454-8682 FAX (903) 454-3642



H-4/1

QTY: 1

DWG: H4_1_56

DRAWN BY:

DATE:

APPROVED BY:

SHEET

56

PROJECT:

LOCATION:

ARCHITECT:

G.C.:

DRAWING TITLE:

H-4 BALUSTRADE
SYSTEM

REVISION

DATE

SCALE: 1/2" = 1'