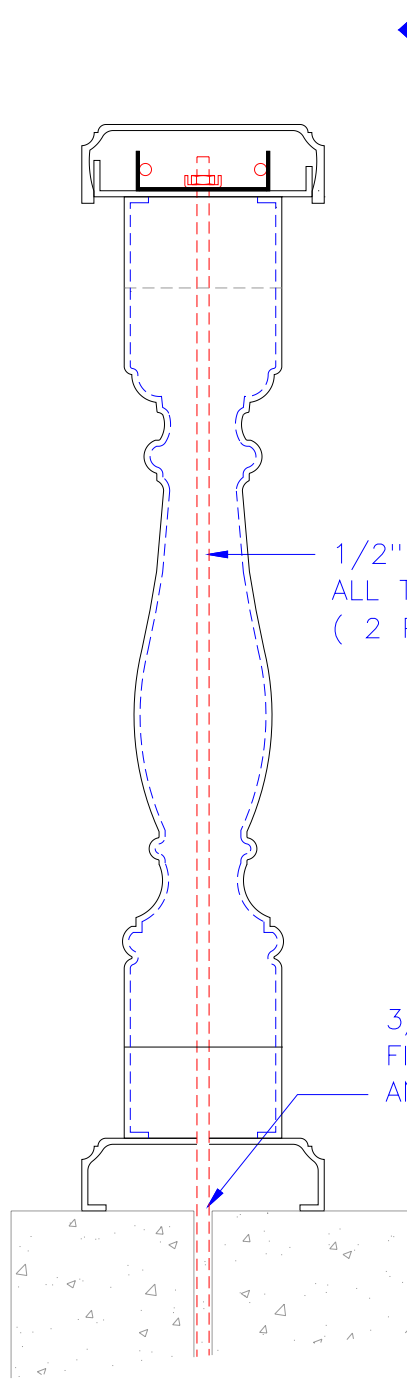


COMPONENTS

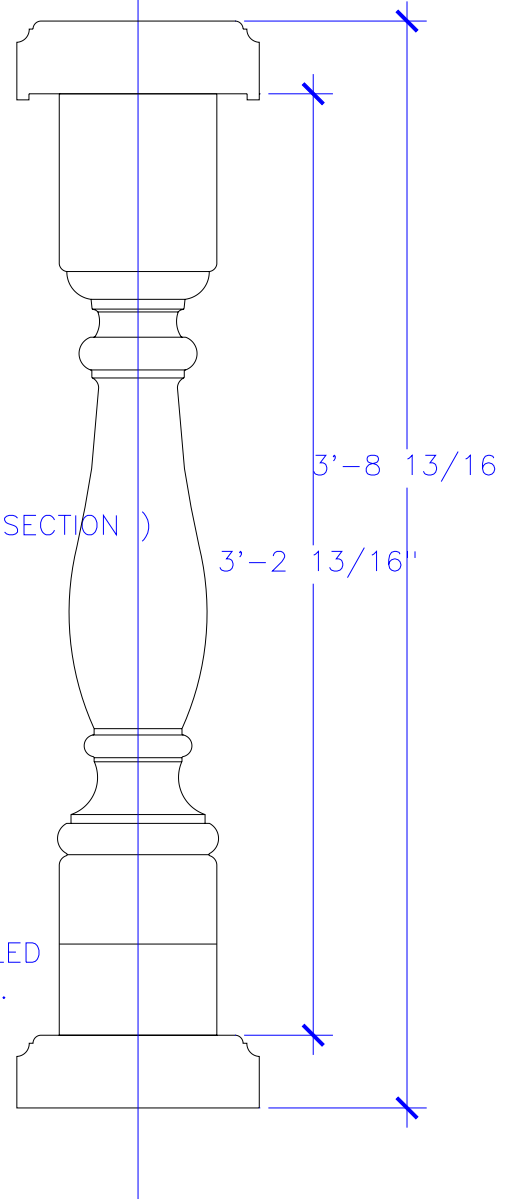


ASSEMBLY  
IN SECTION

◀ REB. - . - .A.4.R0

1/2"  
ALL THREAD  
( 2 PER RAIL SECTION )

3/4" DIA.  
FIELD DRILLED  
AND EPOXY.



ASSEMBLED  
BALUSTRADE

PROJECT:		TITLE: BALUSTRADE ASSEMBLY	
REVISIONS:		TYPE DWG: ASSEMBLY	DRAWN BY:
 <b>Stromberg Architectural Products</b> P.O. Box 8036, I-30 West, Greenville, TX 75404 (903) 454-8682 FAX (903) 454-3642		SCALE: 1 1/2"	DATE:
		DWG. SHEET: REB. - . - .A.3.R2	