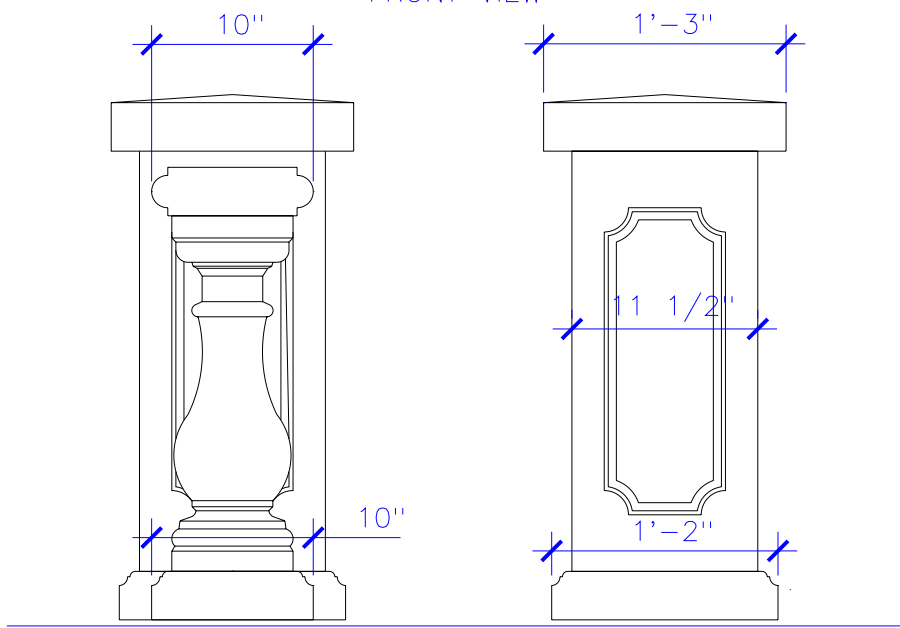


FRONT VIEW



LEFT SIDE VIEW

RIGHT SIDE VIEW



Stromberg Architectural Products
 4400 Oneal St, Greenville, TX 75404 (903) 454-8682 FAX (903) 454-3642

PROJECT:
 DATE/BY:
 SCALE: 1" = 1'

TITLE: BALUSTRADE PRESENTATION
 FILE #: WR.-.-.P.1.R1