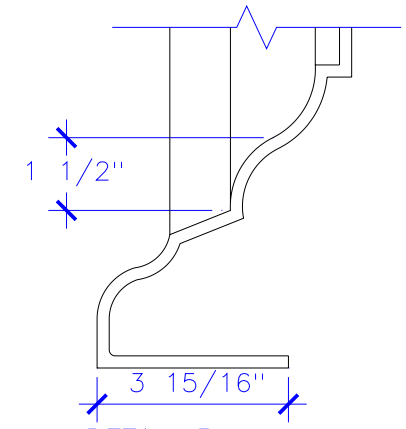



Ⓐ DETAIL A
SCALE: 3" = 1'



Ⓑ DETAIL B
SCALE: 3" = 1'

DWG. APPROVED	MOLD	CAST	SHIPPED	TOTAL WT.	REFERENCES	ITEM TAG: GHBH-CP3		
						MATERIAL: GFRS		
PROJECT:			DRAWING TITLE:		REVISIONS	TOTAL # OF ITEM:		
LOCATION:			CEILING PANEL			TOTAL SQ. FEET:		
CLIENT:			GHBH-CP3			COLOR: LIMESTONE		
CUSTOMER APPROVAL:			TYPE DWG: FABRICATION			TEXTURE: SMOOTH		
 Stromberg Architectural Products P.O. Box 8036, I-30 West, Greenville, TX 75404 (903) 454-8682 FAX (903) 454-3642					DRAWN BY:	SHT: A	DATE:	SHEET 1 OF 1
					SCALE: 1" = 1'		DWG: GHBH_CP3	