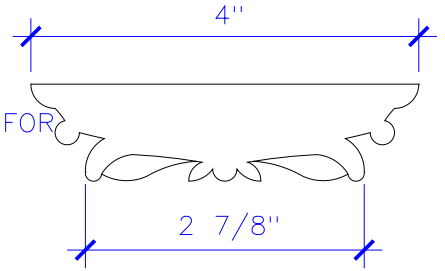
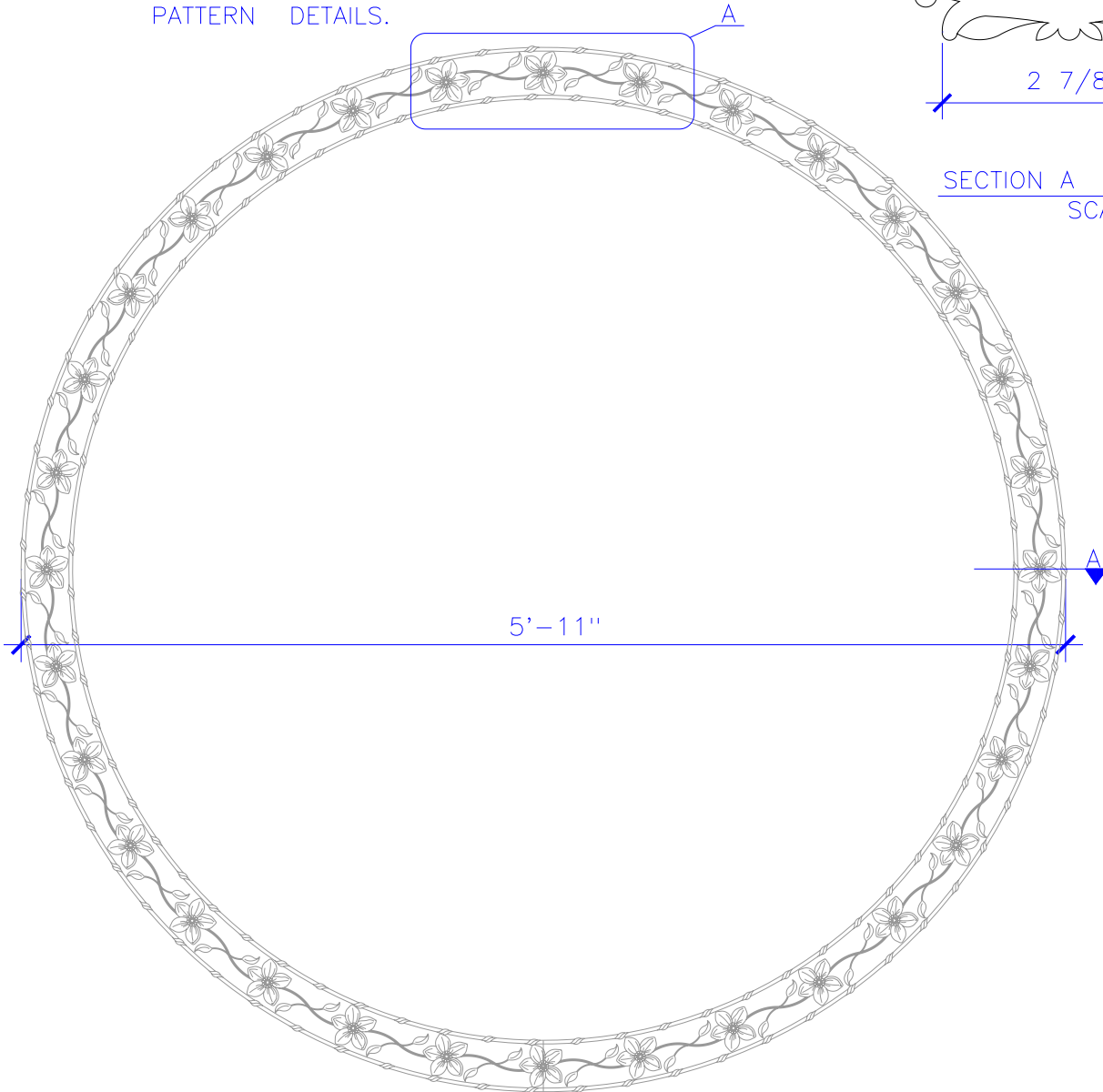


DETAIL A
SCALE: 3" = 1'

NOTE: REFER TO BHD DRAWINGS SKI-372 & SKI-373 FOR PATTERN DETAILS.



SECTION A
SCALE: 6" = 1'



PROJECT:

TITLE: DINING HALL CEILING

REVISIONS:

TYPE DWG: SETTING PLAN

DRAWN BY:



Stromberg Architectural Products
P.O. Box 8036, I-30 West, Greenville, TX 75404 (903) 454-8682 FAX (903) 454-3642



SCALE: 1" = 1'

DATE:

DWG: DH_CM_SP3