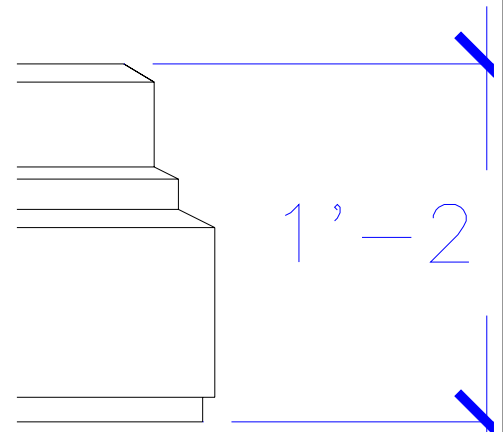
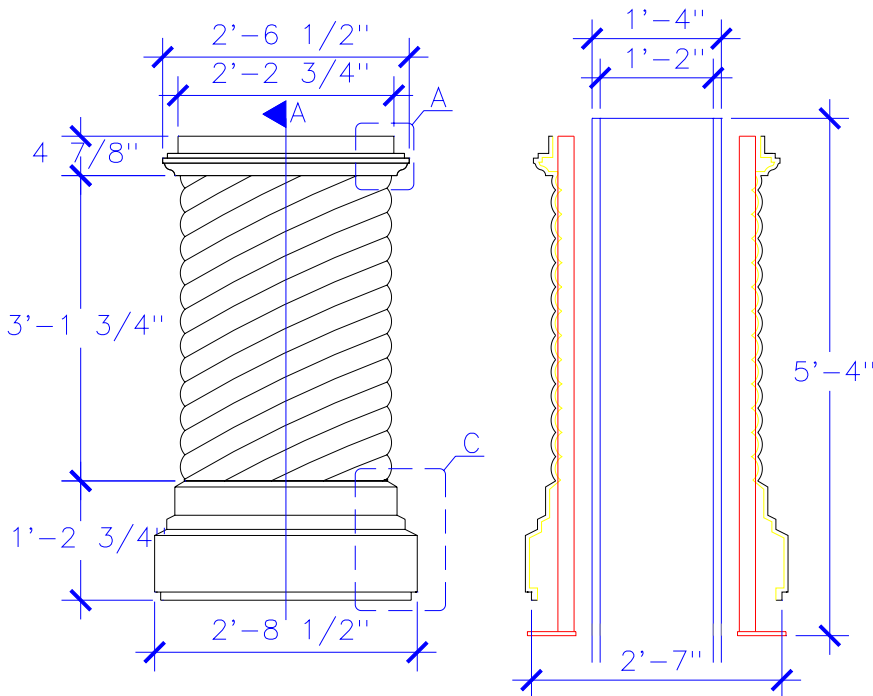


DETAIL A

SCALE: 3" = 1'



DETAIL C

SCALE: 1 1/2" = 1'

ITEM TAG: BH169A-S
MATERIAL: GFRC
TOTAL # OF ITEM:
TOTAL SQ./CU. FEET:
COLOR:
TEXTURE: SMOOTH
HGT. PER J.P.
PER REDLINES
HGT. PER J.P.

REFERENCES:				
DWG. APPROVED	MOLD	CAST	SHIPPED	TOTAL WT.

PROJECT:	DRAWING TITLE: CHIMNEY SHAFT @ EAST LOGGIA
LOCATION:	
CLIENT:	

CUSTOMER APPROVAL:	SCALE: 1/2" =	DRAWN BY:	SHT: A
--------------------	---------------	-----------	--------


Stromberg Architectural Products


 P.O. Box 8036, I-30 West, Greenville, TX 75404 (903) 454-8682 FAX (903) 454-3642

DWG: BH169A_S	SHEET 1 OF 1
DATE:	