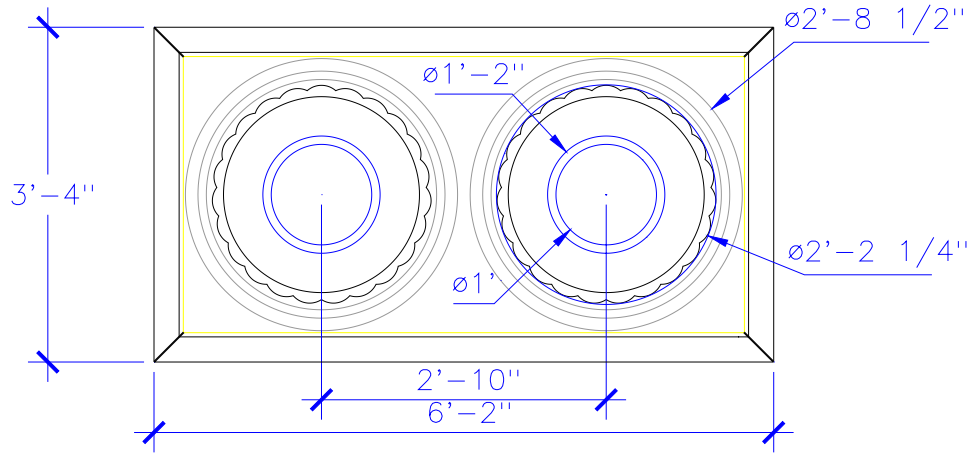


10 GA. STL WIRE

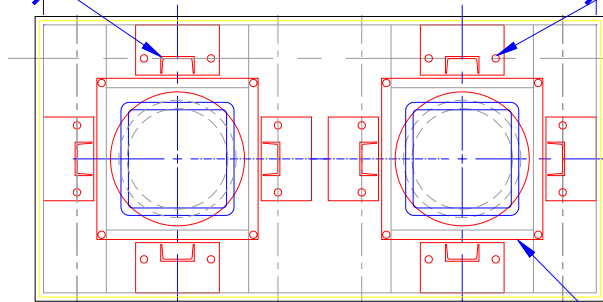
#2 REBAR



C4 X 7.25,

5'-6"

3/4" Ø BOLT WITH
12" MIN. EMBED



16" DIA.
ANCHOR PLATE

ITEM TAG: BH169D-SP2

TYPE DWG: SETTING PLAN

PROJECT:

REVISIONS:

DATE:

SHEET



Stromberg Architectural Products
P.O. Box 8036, I-30 West, Greenville, TX 75404 (903) 454-8682 FAX (903) 454-3642



DRAWN BY:

SCALE: 1/2" = 1'

DWG: BH169D_SP2

2 OF 2