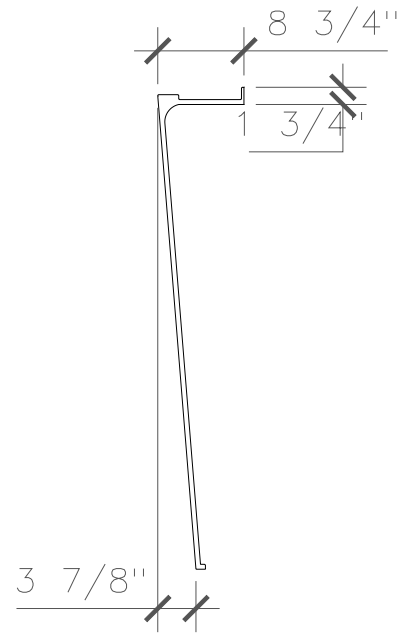
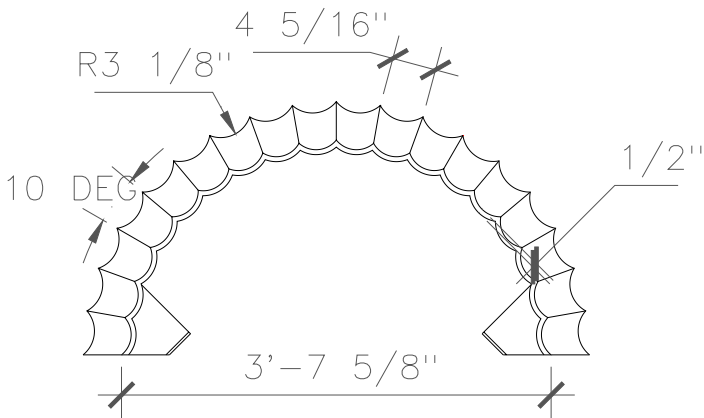


FRONT VIEW



SECTION A-A



BOTTOM VIEW

DRAWING REFERENCES FOR THIS ITEM

SHEET:						
VIEWS:						
ACTION COMPLETED						
CAD	PRODUCTION	MOLD	FINISHED	PACKED	SHIPPED	RECEIVED
/ /	/ /	/ /	/ /	/ /	/ /	/ /

ITEM TAG: 2B
MATERIAL: TRANSLUSCENT
TOTAL # OF ITEM:
PERIMETER SECTION N/A
TOTAL LINEAR FEET: N/A
TOTAL SQ. FEET: 2678.40 SQ. FT.
COLOR: TRANSLUSCENT
TEXTURE: SMOOTH

DWG: 2B	DRAWN BY:
DATE:	SHEET
CHECKED BY:	1 OF 1
APPROVED BY:	


Stromberg Architectural Products


 P.O. Box 8036, I-30 West, Greenville, TX 75404 (903) 454-8682 FAX (903) 454-3642

PROJECT:	CONTRACT NO: N/A	REVISION	DATE
LOCATION:	DRAWING TITLE:		
DESIGNER:	ITEM 2, COLUMN HALF		
G.C.:	TYPE "B" COLUMN		
	SCALE: 1/2" - 1'		