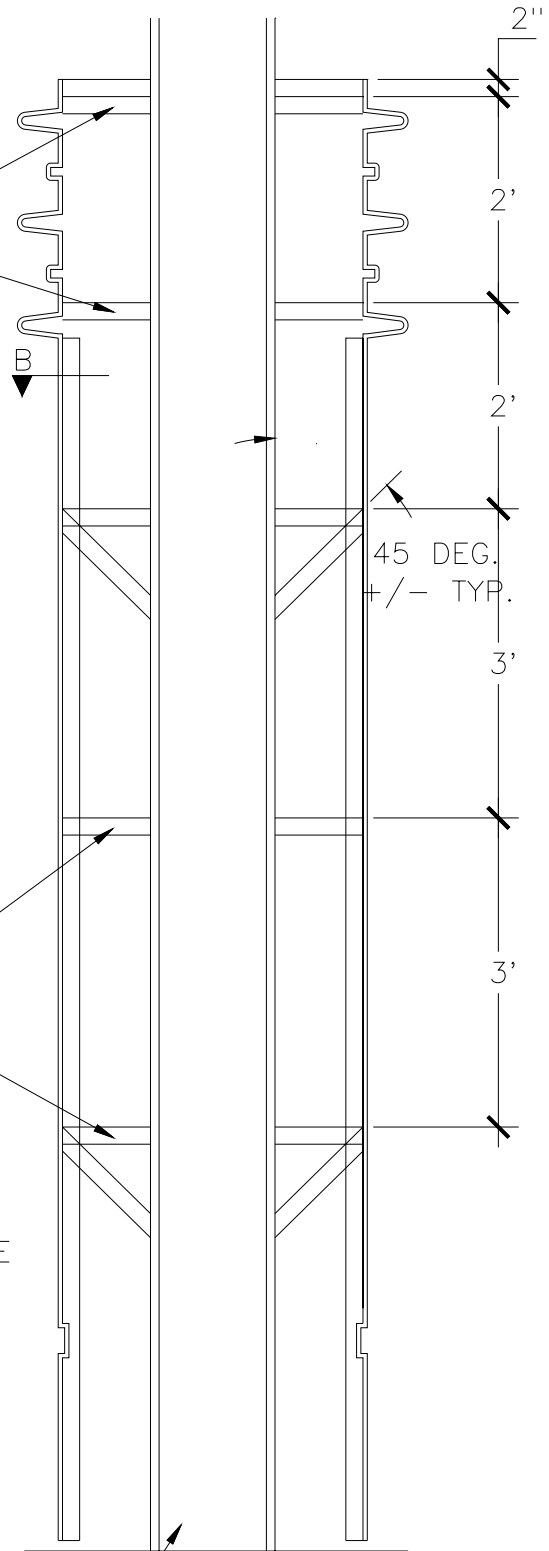
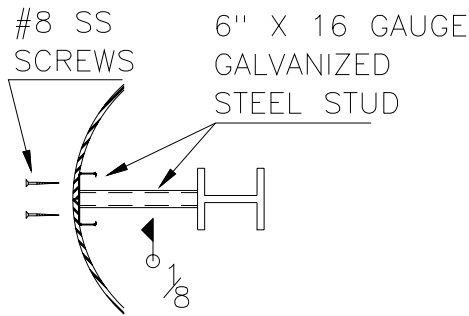


FRONT VIEW

2X2X3/16" ANGLE



2X2X3/16" ANGLE



SECTION B STEEL COLUMN

SECTION A

PROJECT:

ITEM TAG: ADDITIONAL BRACING

REVISIONS:

SCALE: 1/2" = 1'

DRAWN BY:



Stromberg Architectural Products
 P.O. Box 8036, I-30 West, Greenville, TX 75404 (903) 454-8682 FAX (903) 454-3642



DWG: 2X2_ANGLE

DATE:

SHEET

1 OF 1