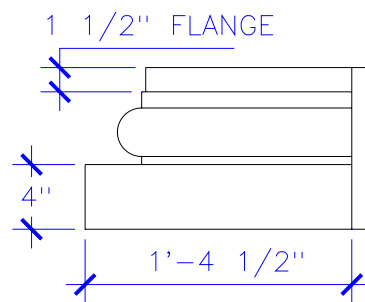
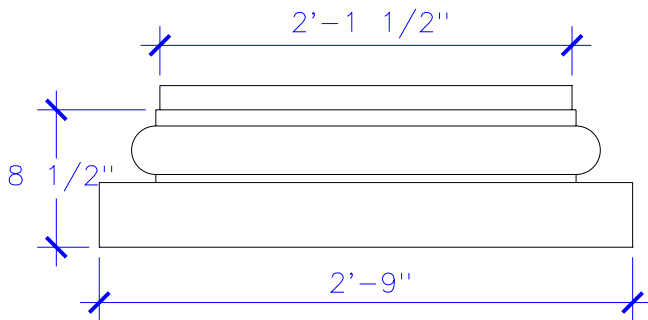



SECTION A  
SCALE: 3" = 1'



PROJECT/LOCATION:		DWG. APP'VD:	ITEM TAG: B-1
CLIENT:		MOLD:	QTY. REQ'D:
CUSTOMER APPROVAL:		CAST:	MATERIAL: GFRP
TITLE: COLUMN BASE		WEIGHT:	COLOR: AS APPROVED
DATE/BY:	TOTAL SQ. FT:	SHIPPED:	TEXTURE: AS APPROVED
SCALE: 1" = 1'	TOTAL WT:	 <b>Stromberg Architectural Products</b> 4400 Oneal St, Greenville, TX 75404 (903) 454-8682 FAX (903) 454-3642	
REF: 5/A3.6	LAST REV:		
FILE #: BB.1.1.F.1.R0			