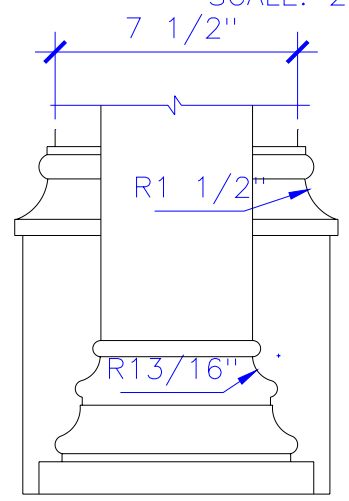
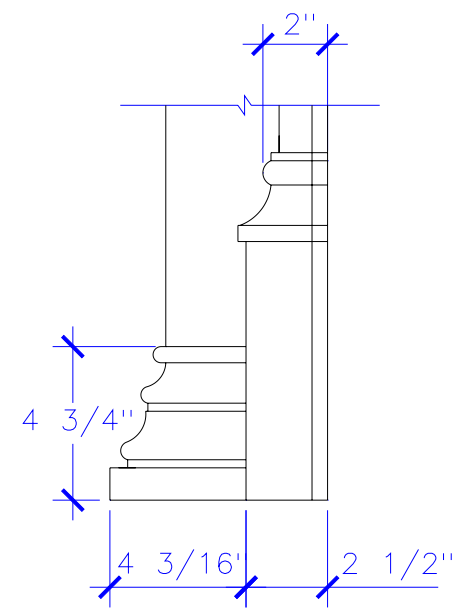



SECTION A
SCALE: 2" = 1'



DETAIL B
SCALE: 2" = 1'



DWG. APPROVED	MOLD	CAST	SHIPPED	TOTAL WT.	REFERENCES	ITEM TAG: BH131_C1		
						MATERIAL: GFRS		
PROJECT:			DRAWING TITLE:		TOTAL # OF ITEM:			
LOCATION:			LOGGIA'S LEFT PILASTER		TOTAL SQ./CU. FEET: 67.00 SQ.FT.			
CLIENT:			TYPE DWG: FABRICATION		COLOR: ???			
CUSTOMER APPROVAL:					TEXTURE: SMOOTH			
 Stromberg Architectural Products P.O. Box 8036, I-30 West, Greenville, TX 75404 (903) 454-8682 FAX (903) 454-3642					DRAWN BY:	SHT: A	DATE:	SHEET
					SCALE: 1/2" = 1'		DWG: BH_131C_1	1 OF 1