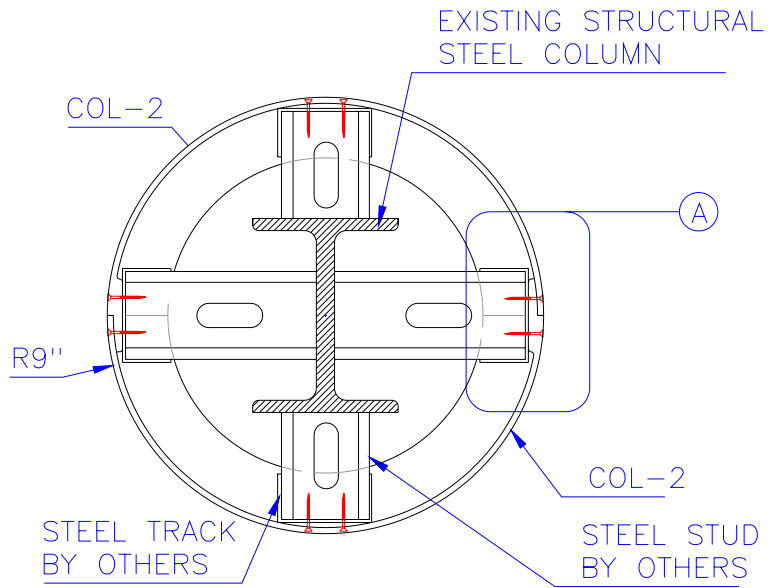
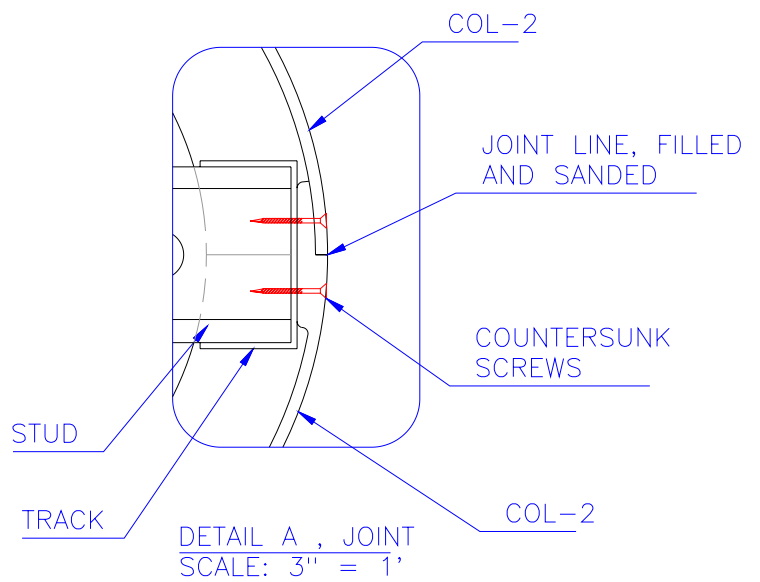


FRONTAL VIEW  
SCALE: 3/4" = 1'



TOP VIEW  
SCALE: 1 1/2" = 1'



DETAIL A, JOINT  
SCALE: 3" = 1'

PROJECT:		ITEM TAG: COL-2 MOUNTING	DRAWN BY:
REVISIONS:		SCALE: AS NOTED	SHEET
		TYPE DWG: MOUNTING	
 <b>Stromberg Architectural Products</b> P.O. Box 8036, I-30 West, Greenville, TX 75404 (903) 454-8682 FAX (903) 454-3642		 DWG: COL_2_MTG DATE:	2 OF 2