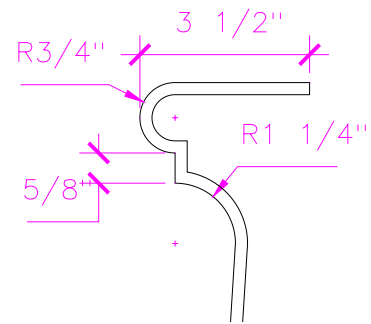
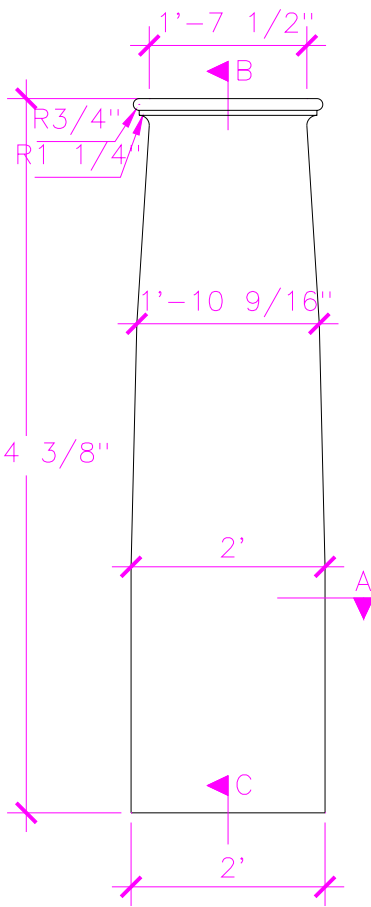
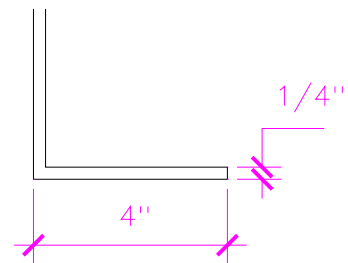


SECTION A
SCALE: 3" = 1'



SECTION B
SCALE: 3" = 1'



SECTION C
SCALE: 3" = 1'

ITEM TAG: C-4 SHAFT

MATERIAL: GFRP

TOTAL # OF ITEM:

TOTAL SQ./CU. FEET: 270.00 SQ. FT

COLOR: PER APPROVED SAMPLE

TEXTURE: SMOOTH

REVISIONS

REFERENCES:

DWG. APPROVED	MOLD	CAST	SHIPPED	TOTAL WT.

PROJECT:
LOCATION:
CLIENT:

DRAWING TITLE:
COLUMN 4
SHAFT

CUSTOMER APPROVAL: SCALE: 1/2" = DRAWN BY: SHT: A