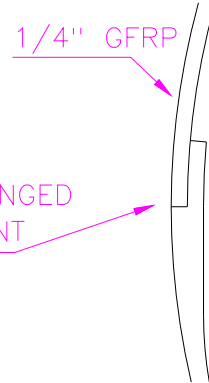
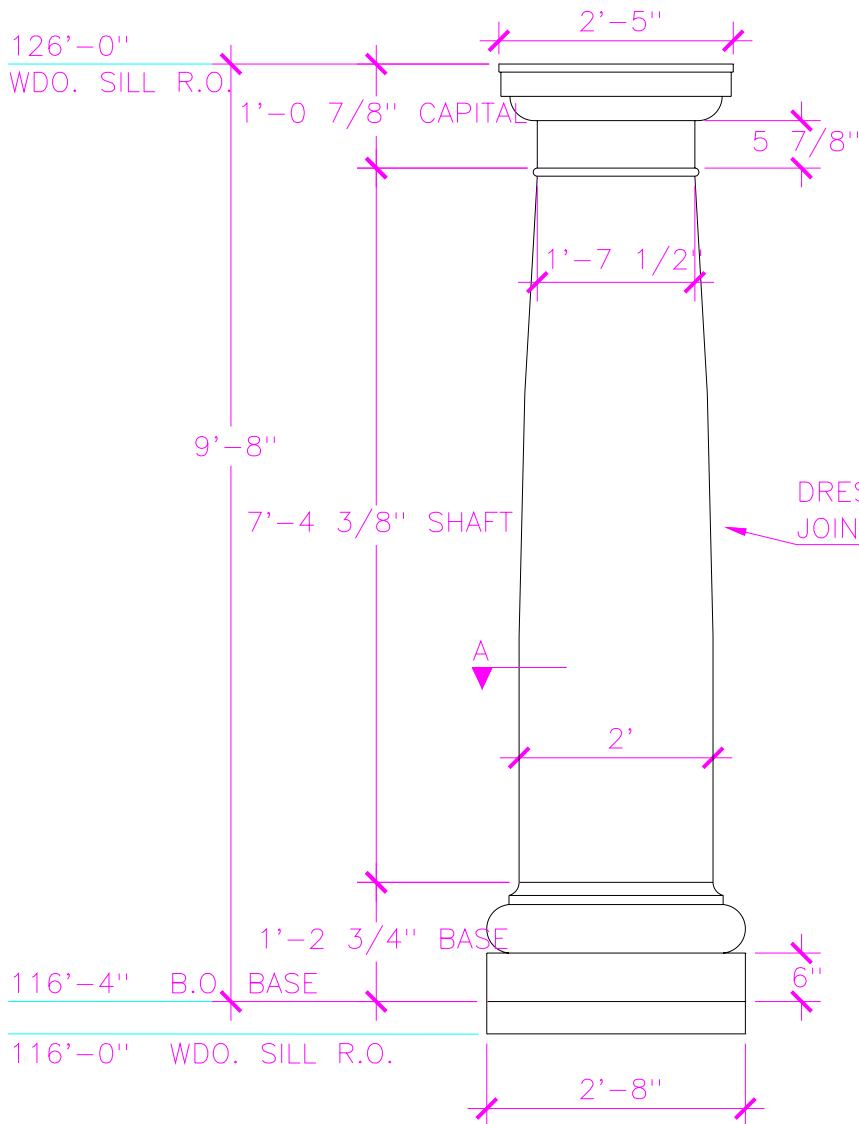


DRESSED JOINT



FLANGED JOINT

DRESSED JOINT

SECTION A  
2X

GFRP

PROJECT:

ITEM TAG: COLUMN 4 SP

REFERENCES:

SCALE: 1/2" = 1'

DRAWN BY:



**Stromberg Architectural Products**  
P.O. Box 8036, I-30 West, Greenville, TX 75404 (903) 454-8682 FAX (903) 454-3642



DWG: COL\_4\_SP

DATE: 4/15/02

SHEET

1 OF 1