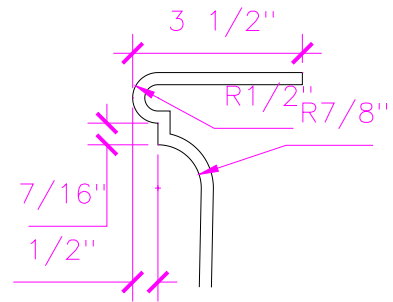
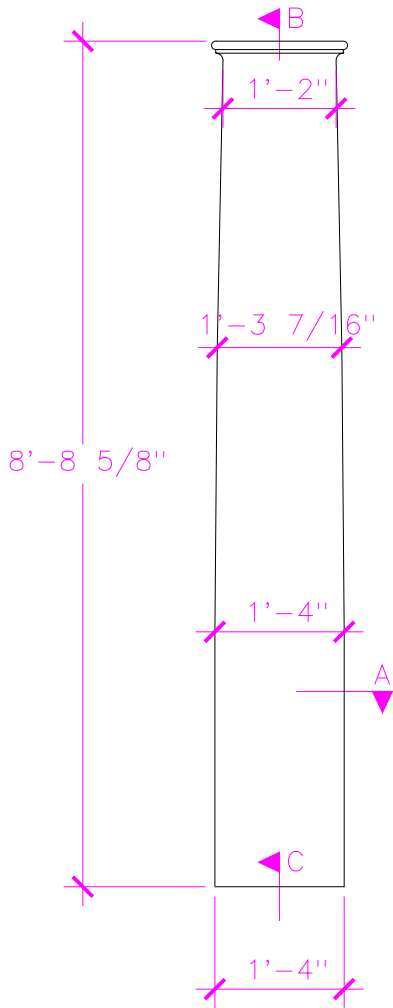
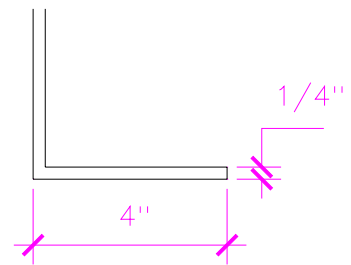


ASSEMBLY  
FLANGE

SECTION A  
SCALE: 3" = 1'



SECTION B  
SCALE: 3" = 1'



SECTION C  
SCALE: 3" = 1'

ITEM TAG: C-5 SHAFT

MATERIAL: GFRP

TOTAL # OF ITEM:

TOTAL SQ./CU. FEET:

COLOR:

TEXTURE: SMOOTH

REVISIONS

REFERENCES:

DWG. APPROVED	MOLD	CAST	SHIPPED	TOTAL WT.

PROJECT: \_\_\_\_\_  
 LOCATION: \_\_\_\_\_  
 CLIENT: \_\_\_\_\_

DRAWING TITLE:  
 COLUMN 5  
 SHAFT

CUSTOMER APPROVAL: \_\_\_\_\_ SCALE: 1/2" = \_\_\_\_\_ DRAWN BY: \_\_\_\_\_ SHT: A



**Stromberg Architectural Products**  
 P.O. Box 8036, I-30 West, Greenville, TX 75404 (903) 454-8682 FAX (903) 454-3642



DWG: COL\_5\_SHAFT  
 DATE: \_\_\_\_\_

SHEET  
 1 OF 1