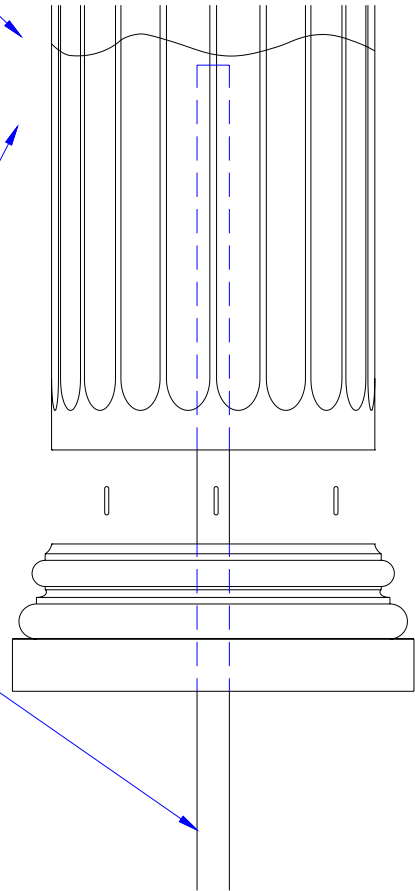


1/2" X 4" STAINLESS STEEL DOWELS  
CEMENTED INTO 1" DIA HOLES  
AT JOINTS. ALSO USE 3/8" - TO  
1/4" MORTAR JOINT.

A

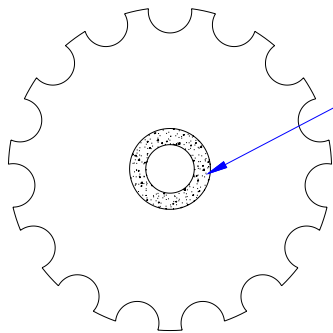
CONCRETE LEVEL

SHAFT FILLED 2' MIN.  
WITH CONCRETE



FILL CAVITY BETWEEN  
PIPE AND COLUMN  
WITH CONCRETE

4 - 6" STEEL PIPE  
SET IN CONCRETE



SECTION A

TITLE: COLUMN ASSEMBLY

**Stromberg Architectural Products**

P.O. Box 8036 I-30 West Greenville, Texas, 75404  
(903) 454-8682 FAX (903) 454-3642



SCALE: 1/2" = FILE NO: COL\_AP