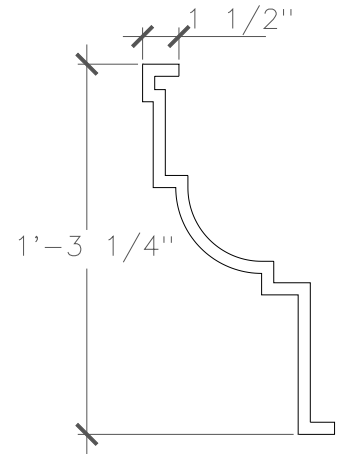
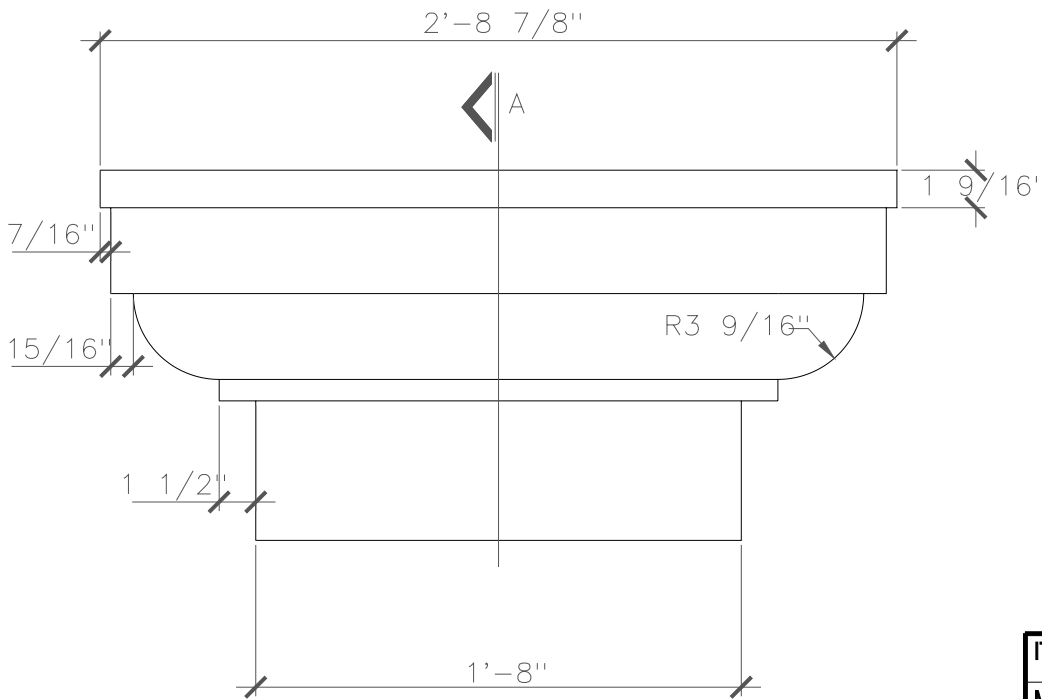


FLANGE DETAIL (2X)



SECTION A

ITEM TAG:	D1-GFRC-24.3
MATERIAL:	GFRC
TOTAL # OF ITEM:	
PERIMETER/CROSS SECTION	N/A
TOTAL SQ. FEET:	
COLOR:	BUFF
TEXTURE:	SMOOTH
DWG:	D1_GFRC_24_3
DRAWN BY:	
DATE:	
APPROVED BY:	

DRAWING REFERENCES FOR THIS ITEM

SHEET:						
VIEWS:						
ACTION COMPLETED						
CAD	PRODUCTION	MOLD	FINISHED	PACKED	SHIPPED	RECEIVED
/ /	/ /	/ /	/ /	/ /	/ /	/ /

Stromberg Architectural Products
 P.O. Box 8036, I-30 West, Greenville, TX 75404 (903) 454-8682 FAX (903) 454-3642

PROJECT:	CONTRACT NO:
LOCATION:	DRAWING TITLE:
ARCHITECT:	COLUMN CAPITAL, TUSCAN
G.C.:	SCALE: 1 1/2" = 1'

REVISION	DATE

1 OF 1