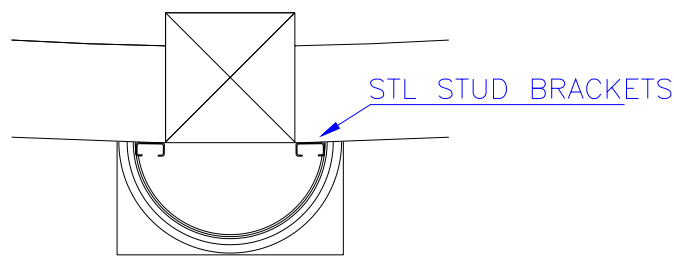
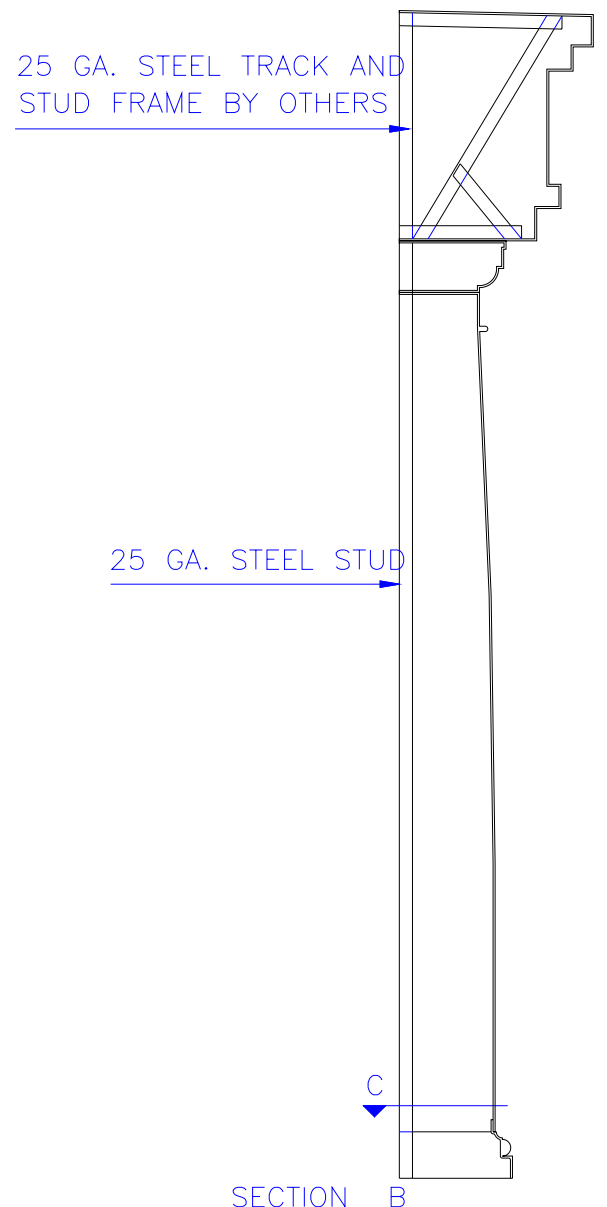


DETAIL A
SCALE 1/2" = 1'



SECTION C
SCALE 1/2" = 1'



SECTION B
SCALE 1/2" = 1'

ITEM TAG: GUARD HOUSE COLONADE-SP

PROJECT: _____ REVISIONS: _____ TYPE DWG: ERECTION



Stromberg Architectural Products
P.O. Box 8036, I-30 West, Greenville, TX 75404 (903) 454-8682 FAX (903) 454-3642



DRAWN BY: _____
SCALE: 1/2" = 1'

DATE: _____
DWG: GH_COLONADE_SP_3

SHEET
3 OF 3