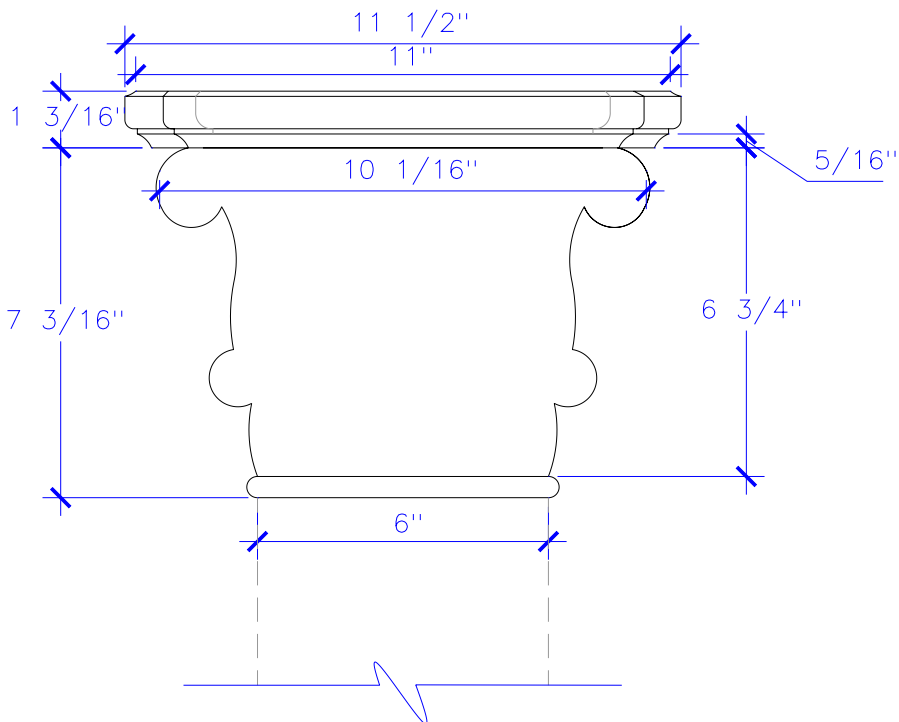


TOP VIEW



ITEM TAG: MF\_COLUMNN

PROJECT: SCALE: 3" = 1' DRAWN BY:

REVISIONS: TYPE DWG: FABRICATION SHEET



**Stromberg Architectural Products**  
 P.O. Box 8036, I-30 West, Greenville, TX 75404 (903) 454-8682 FAX (903) 454-3642



DWG: MF\_COLUMNN\_2  
 DATE:

2 OF 2