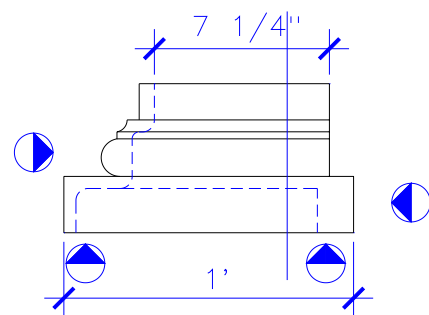
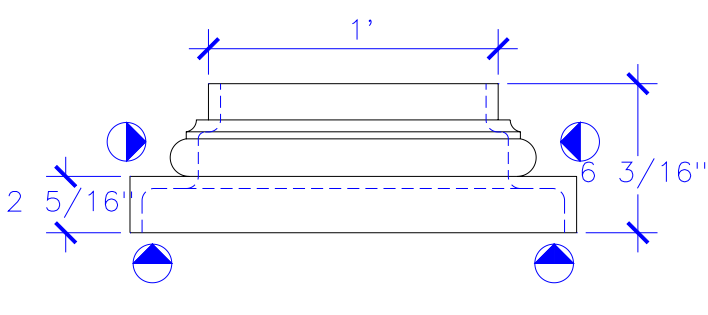


SECTION A  
SCALE: 6" = 1'



INDICATES FINISHED SURFACE

ITEM TAG: PILASTER A BASE U  
MATERIAL: GFRG

REFERENCES:					TOTAL # OF ITEM:	
DWG. APPROVED	MOLD	CAST	SHIPPED	TOTAL WT.	TOTAL SQ. FEET:	
				39 LBS.	COLOR: PER APPROVED SAMPLE	
PROJECT:			DRAWING TITLE:		TEXTURE: PER APPROVED SAMPLE	
LOCATION:			PILASTER A BASE UPPER		REVISIONS	
CLIENT:			TYPE DWG: FABRICATION			
CUSTOMER APPROVAL:		SCALE: 1 1/2"	DRAWN BY:	SHT: A		



**Stromberg Architectural Products**  
P.O. Box 8036, I-30 West, Greenville, TX 75404 (903) 454-8682 FAX (903) 454-3642

DWG: PIL\_A\_BASE\_U  
DATE:

SHEET 1 OF 1