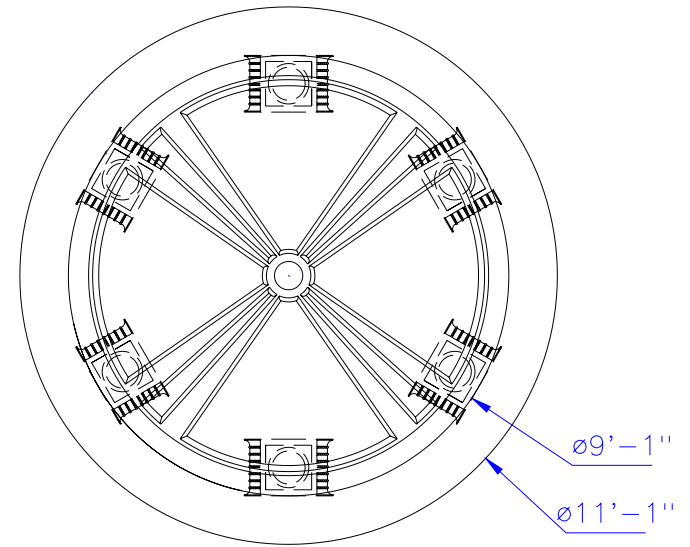


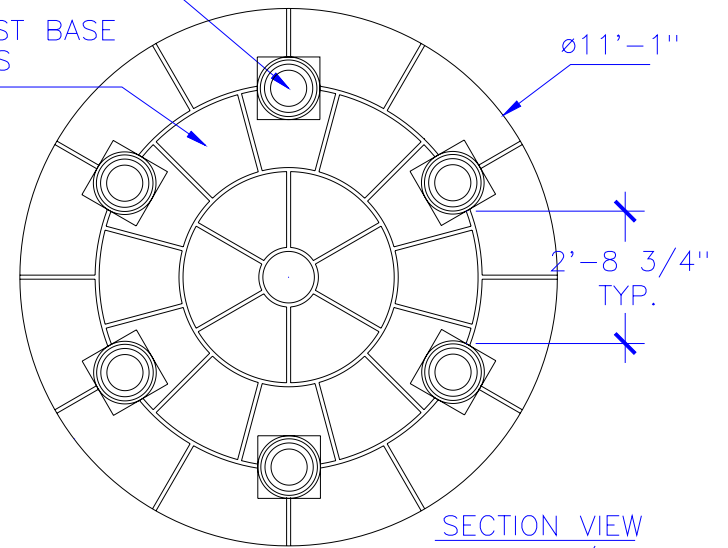
ROTUNDA ELEVATION
 SCALE: 3/8" = 1'



TOP VIEW
 SCALE: 1/4" = 1'

6 GREEK ERECTHEUM INSCRIBED ARRAY.

PRECAST BASE BLOCKS



SECTION VIEW
 SCALE: 1/4" = 1'

PROJECT:

REVISIONS:

TITLE: 8' GREEK ROTUNDA



Stromberg Architectural Products
 P.O. Box 8036, I-30 West, Greenville, TX 75404 (903) 454-8682 FAX (903) 454-3642



DRAWN BY:

TYPE DWG: SETTING PLAN SCALE: 3/8" = 1'

DATE:

DWG. SHEET: RT8GE. - . - .S.1.R0