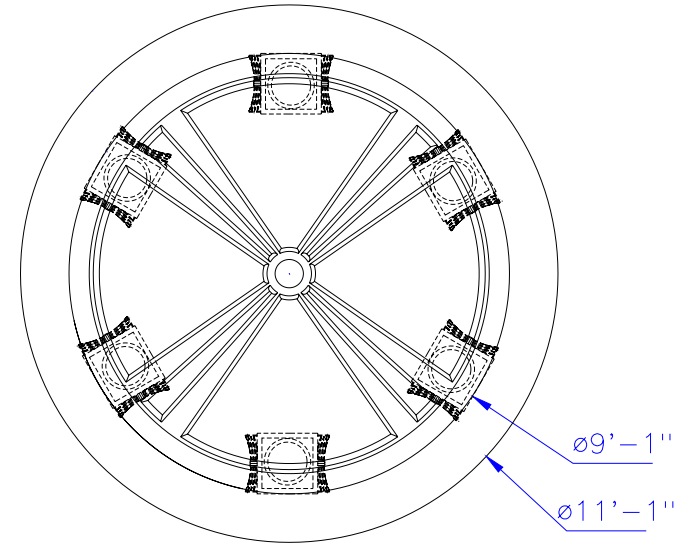
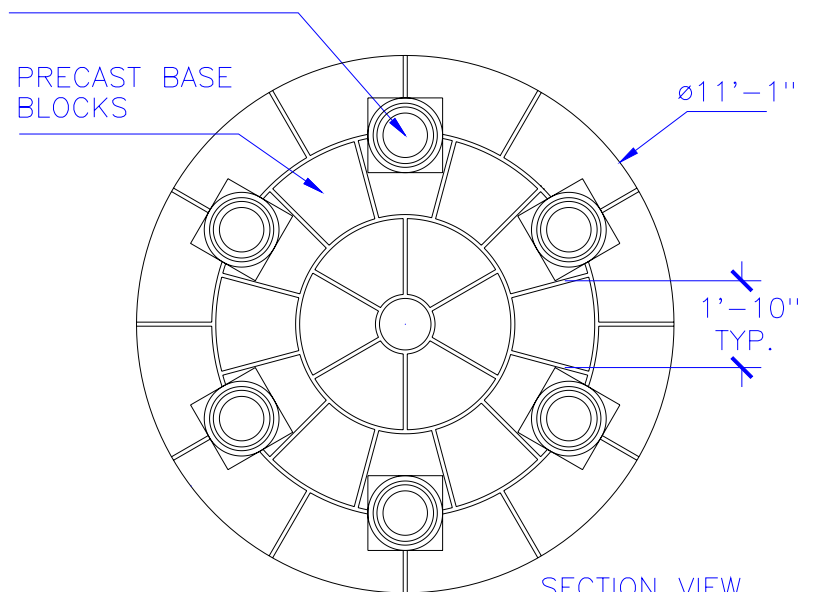


ROTUNDA ELEVATION
SCALE: 3/8" = 1'



6 ROMAN IONIC
COLUMNS INSCRIBED
ARRAY.

TOP VIEW
SCALE: 1/4" = 1'



SECTION VIEW
SCALE: 1/4" = 1'

PROJECT:

REVISIONS:

TITLE: 8' ROMAN IONIC ROTUNDA



Stromberg Architectural Products
P.O. Box 8036, I-30 West, Greenville, TX 75404 (903) 454-8682 FAX (903) 454-3642



DRAWN BY:

TYPE DWG: SETTING PLAN SCALE: 3/8" = 1'

DATE:

DWG. SHEET: RT8RI.-.-S.2.R0