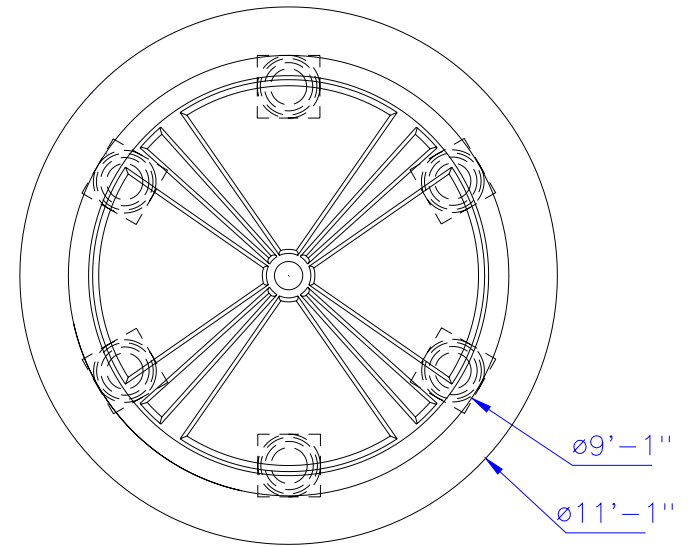


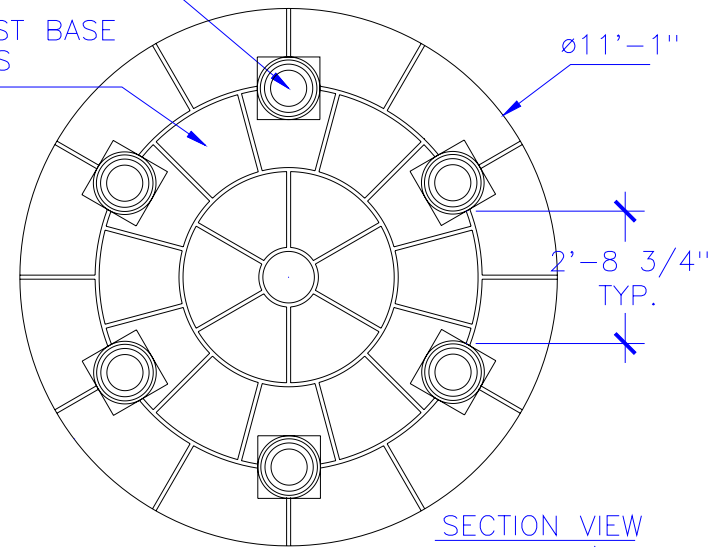
ROTUNDA ELEVATION
 SCALE: $3/8'' = 1'$



TOP VIEW
 SCALE: $1/4'' = 1'$

6 TUSCAN COLUMNS
 INSCRIBED ARRAY.

PRECAST BASE
 BLOCKS



SECTION VIEW
 SCALE: $1/4'' = 1'$

PROJECT:

REVISIONS:

TITLE: 8' TUSCAN ROTUNDA



Stromberg Architectural Products
 P.O. Box 8036, I-30 West, Greenville, TX 75404 (903) 454-8682 FAX (903) 454-3642



DRAWN BY:

TYPE DWG: SETTING PLAN SCALE: $3/8'' = 1'$

DATE:

DWG. SHEET: RT8TC.-.-S.1.R0