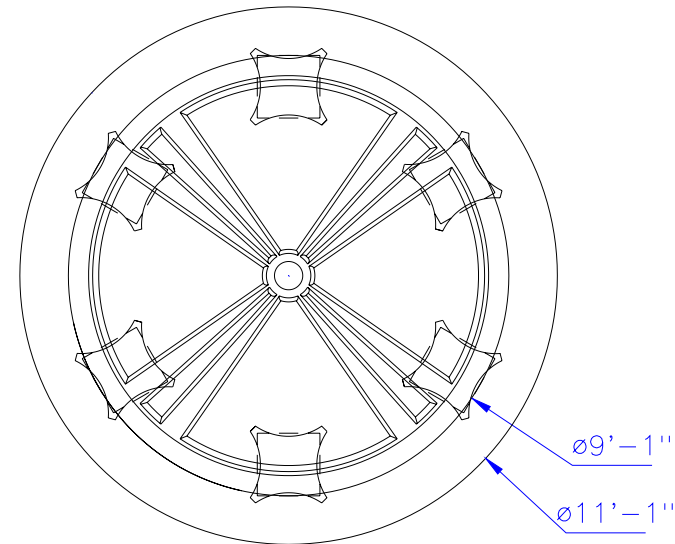
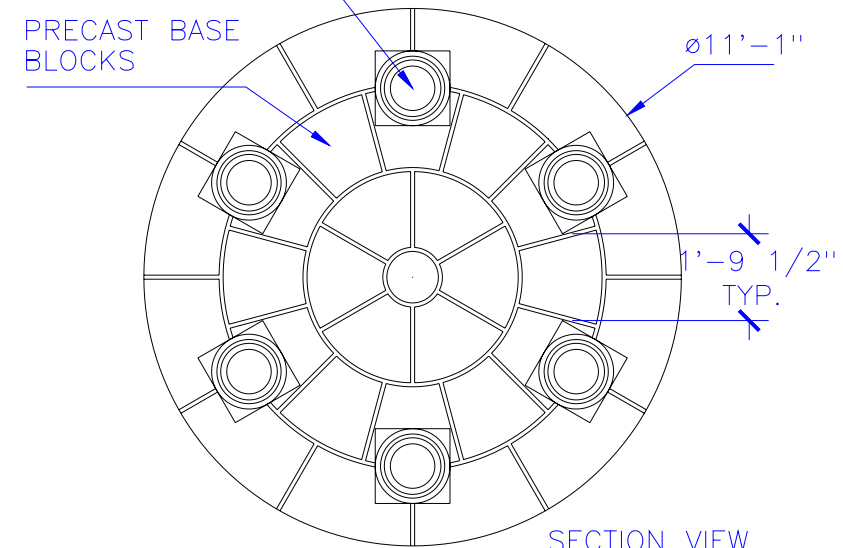


ROTUNDA ELEVATION
SCALE: 3/8" = 1'



TOP VIEW
SCALE: 1/4" = 1'

RC-3 (ø11 1/2") 6 ROMAN CORINTHIAN
ROMAN CORINTHIAN COLUMNS INSCRIBED
CAPITAL ARRAY.



SECTION VIEW
SCALE: 1/4" = 1'

PROJECT:

REVISIONS:

TITLE: 9' R. CORINTHIAN ROTUNDA



Stromberg Architectural Products
P.O. Box 8036, I-30 West, Greenville, TX 75404 (903) 454-8682 FAX (903) 454-3642



DRAWN BY:

TYPE DWG: SETTING PLAN SCALE: 3/8" = 1'

DATE:

DWG. SHEET: RT9RC.-.-S.1.R0