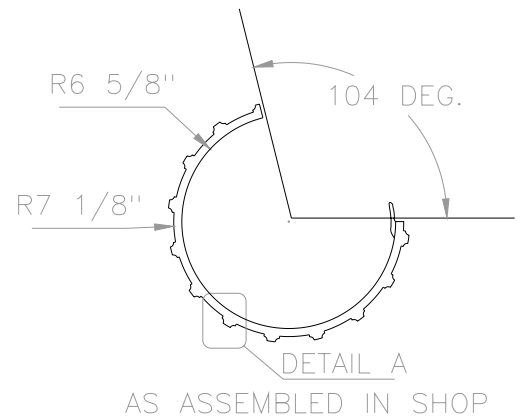
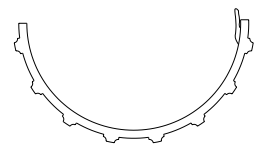


DETAIL A
SCALE 1" = 1'



DETAIL A
AS ASSEMBLED IN SHOP

AS CAST



Stromberg Architectural Products
P.O. Box 8036, I-30 West, Greenville, TX 75404 (903) 454-8682 FAX (903) 454-3642



SHAFT
3/4 PILASTER

PROJECT:	DRAWING TITLE:
LOCATION:	SHAFT 3/4 PILASTER
ARCHITECT:	SCALE: 1" = 1'
CUSTOMER:	DATE:
DWG: WORK_SHAFT_SG	

DRAWN BY:	SHEET
APPROVED BY:	1 OF 1
REVISION	DATE

DRAWN BY:	SHEET
APPROVED BY:	1 OF 1
REVISION	DATE