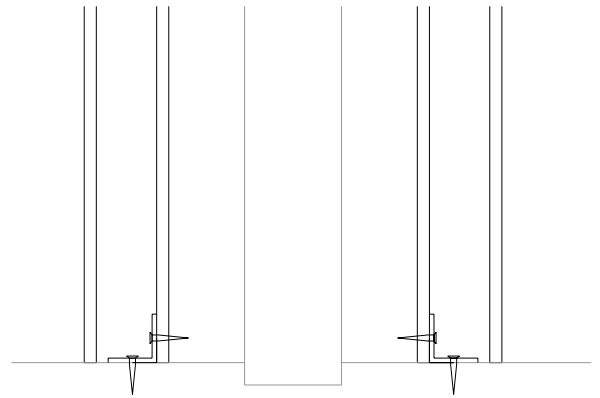
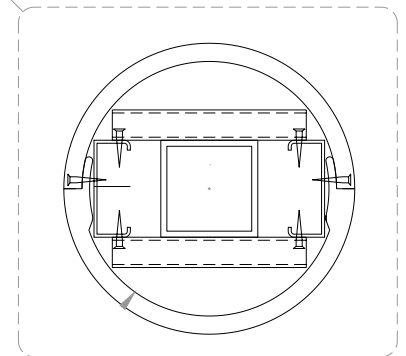


DETAIL A  
SCALE: 1 1/2" = 1'



DETAIL B  
SHT 2



ITEM TAG: C1-AP  
MATERIAL: PRECAST KEYSTONE

REFERENCES

SHEET:					
--------	--	--	--	--	--

DWG: C1_AP	SHEET 1 OF 2
DATE:	

**Stromberg Architectural Products**  
P.O. Box 8036, I-30 West, Greenville, TX 75404 (903) 454-8682 FAX (903) 454-3642

REVISION	DATE
----------	------

SCREWS GALV. METAL STUDS  
COLUMN WEIGHT ADDED

PROJECT:	DRAWING TITLE:
LOCATION:	C1 ASSEMBLY PLAN
ARCHITECT:	SCALE: 1/2" = 1'
G.C.:	DRAWN BY:

CUSTOMER APPROVAL: