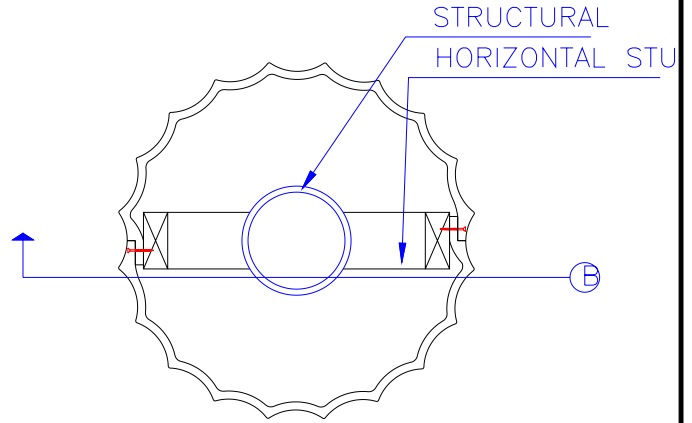
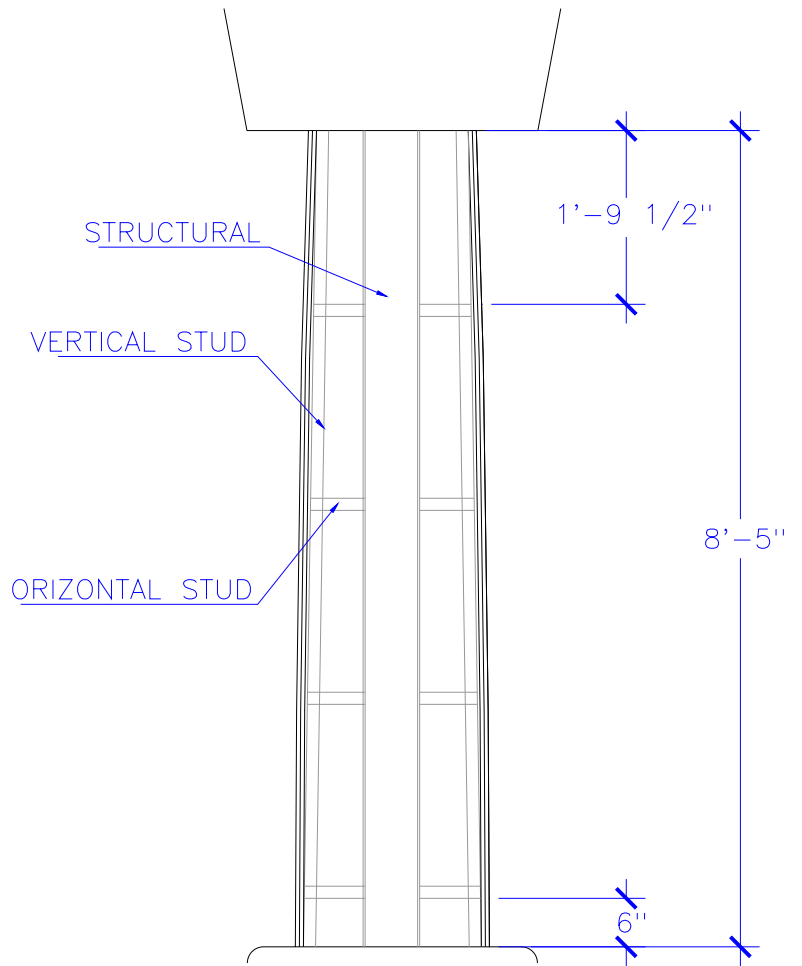


COLUMN IN SITE  
SCALE: 1 1/2" = 1'



SECTION - A - COLUMN FRAMEWORK  
SCALE: 1 1/2" = 1'



SECTION - B - COLUMN FRAMEWORK  
SCALE: 1 1/2" = 1'

PROJECT: TITLE: COLUMN MOUNTING REFERENCE

REVISIONS: TYPE DWG: MOUNTING PLAN DRAWN BY:


**Stromberg Architectural Products**

 SCALE: 1/2" = DATE:  
 P.O. Box 8036, I-30 West, Greenville, TX 75404 (903) 454-8682 FAX (903) 454-3642 DWG. SHEET: WDC.1.1.M.1.R0