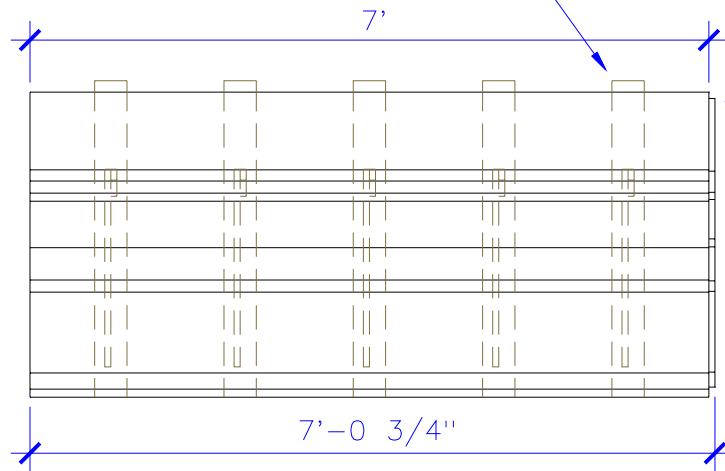
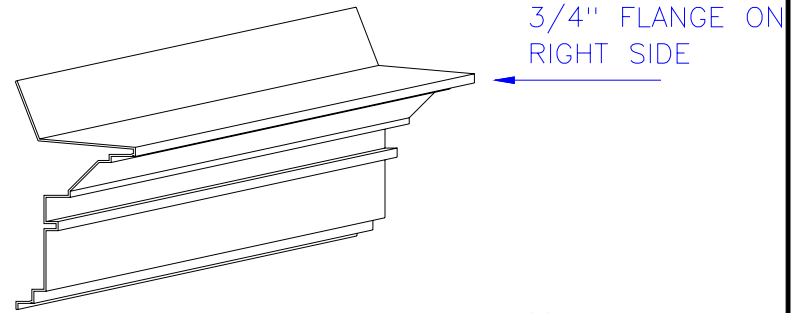


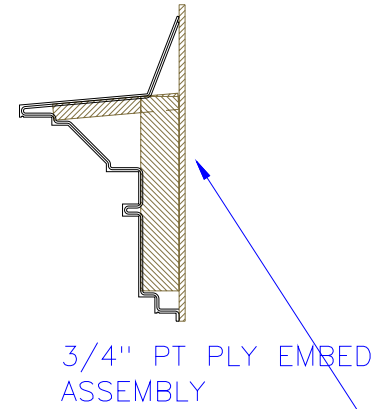
3/4" PT PLY EMBED




3/4" FLANGE



SHOWN WITHOUT EMBEDS



3/4" PT PLY EMBED ASSEMBLY

DWG. APPROVED	MOLD	CAST	SHIPPED	TOTAL WT.	REFERENCES	ITEM TAG: 55A		
						MATERIAL: GFRP		
PROJECT:	DRAWING TITLE:				REVISIONS	TOTAL # OF ITEM:		
LOCATION:	CORNICE STYLE 55					TOTAL SQ./CU. FEET:		
CLIENT:	STRAIGHT SECTION					COLOR: COPPER		
CUSTOMER APPROVAL:						TEXTURE: SMOOTH		
 <b>Stromberg Architectural Products</b> P.O. Box 8036, I-30 West, Greenville, TX 75404 (903) 454-8682 FAX (903) 454-3642					DRAWN BY:	SHT: A	DATE:	SHEET
					SCALE: 1/2" = 1'	DWG: 55A		1 OF 1